

KD-SX878R
KD-S777R

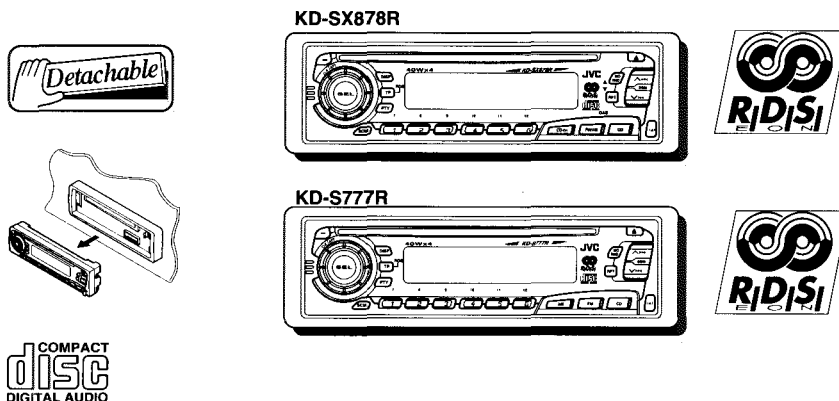
JVC

SERVICE MANUAL

CD RECEIVER

KD-SX878R KD-S777R

Area Suffix
E ... Continental Europe



Comparison table between the KD-SX878R and KD-S777R

Item	KD-SX878R	KD-S777R
Connection to DAB	O	X
CD changer	O	X
Remote control unit	Option	Option

Contents

Safety precaution	1-2	Maintenance of laser pickup	2-10
Preventing static electricity	1-3	Replacement of laser pickup	2-10
Instructions	1-4 - 20	Description of major ICs	2-11
Location of main parts	2-1	Block diagram	2-30
Disassembly method	2-2	Standard schematic diagrams	2-31
Adjustment method	2-7	Printed circuit board	2-34
Flow of functional operation unit TOC read	2-8	Parts list	3-1 - 13

Safety precaution

⚠ CAUTION Burrs formed during molding may be left over on some parts of the chassis. Therefore, pay attention to such burrs in the case of performing repair of this system.

⚠ CAUTION Please use enough caution not to see the beam directly or touch it in case of an adjustment or operation check.

Important for laser products

1.CLASS 1 LASER PRODUCT

2.DANGER : Invisible laser radiation when open and interlock failed or defeated. Avoid direct exposure to beam.

3.CAUTION : There are no serviceable parts inside the Laser Unit. Do not disassemble the Laser Unit. Replace the complete Laser Unit if it malfunctions.

4.CAUTION : The compact disc player uses invisible laserradiation and is equipped with safety switches which prevent emission of radiation when the drawer is open and the safety interlocks have failed or are defeated. It is dangerous to defeat the safety switches.

5.CAUTION : If safety switches malfunction, the laser is able to function.

6.CAUTION : Use of controls, adjustments or performance of procedures other than those specified herein may result in hazardous radiation exposure.

⚠ CAUTION Please use enough caution not to see the beam directly or touch it in case of an adjustment or operation check.

VARNING : Osynlig laserstrålning är denna del är öppnad och spårren är urkopplad. Betrakta ej strålen.

VARO : Avattaessa ja suojalukitus ohitettaessa olet alltiina näkymättömälle lasersäteilylle. Älä katso säteeseen.

ADVARSEL : Usynlig laserstrålning ved åbning , når sikkerhedsafbrydere er ude af funktion. Undgå udsættelse for stråling.

ADVARSEL : Usynlig laserstrålning ved åbning,når sikkerhedsbryteren er avslott. unngå utsettelse for stråling.

REPRODUCTION AND POSITION OF LABELS

**CLASS 1
LASER PRODUCT**

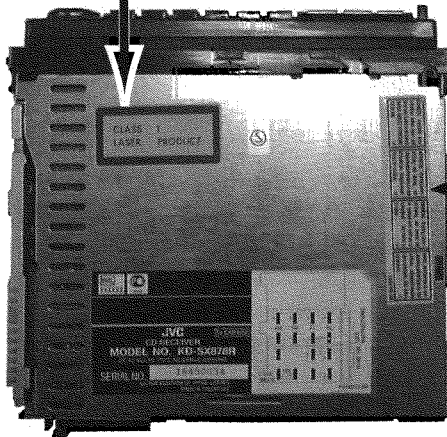
DANGER : Invisible laser radiation when open and interlock or defeated.
AVOID DIRECT EXPOSURE TO BEAM (e)

ADVARSEL :Usynlig laserstrålning ved åbning , når sikkerhedsafbrydere er ude af funktion. Undgå udsættelse for stråling. (d)

VARNING : Osynlig laserstrålning är denna del är öppnad och spårren är urkopplad. Betrakta ej strålen. (s)

VARO : Avattaessa ja suojalukitus ohitettaessa olet alltiina näkymättömälle lasersäteilylle. Älä katso säteeseen. (f)

WARNING LABEL



Preventing static electricity

1. Grounding to prevent damage by static electricity

Electrostatic discharge (ESD), which occurs when static electricity stored in the body, fabric, etc. is discharged, can destroy the laser diode in the traverse unit (optical pickup). Take care to prevent this when performing repairs.

2. About the earth processing for the destruction prevention by static electricity

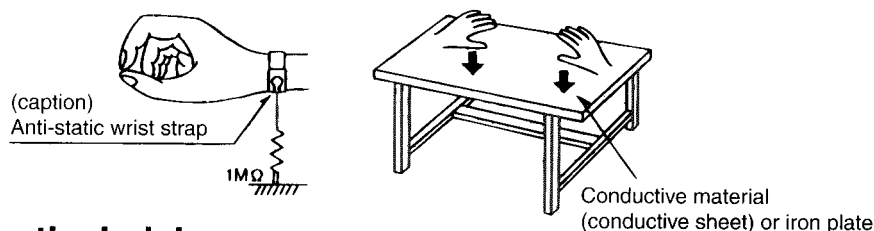
Static electricity in the work area can destroy the optical pickup (laser diode) in devices such as CD players. Be careful to use proper grounding in the area where repairs are being performed.

2-1 Ground the workbench

Ground the workbench by laying conductive material (such as a conductive sheet) or an iron plate over it before placing the traverse unit (optical pickup) on it.

2-2 Ground yourself

Use an anti-static wrist strap to release any static electricity built up in your body.



3. Handling the optical pickup

1. In order to maintain quality during transport and before installation, both sides of the laser diode on the replacement optical pickup are shorted. After replacement, return the shorted parts to their original condition. (Refer to the text.)
2. Do not use a tester to check the condition of the laser diode in the optical pickup. The tester's internal power source can easily destroy the laser diode.

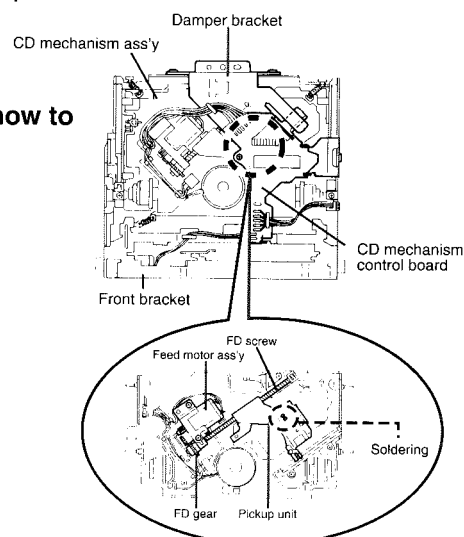
4. Handling the traverse unit (optical pickup)

1. Do not subject the traverse unit (optical pickup) to strong shocks, as it is a sensitive, complex unit.
2. Cut off the shorted part of the flexible cable using nippers, etc. after replacing the optical pickup. For specific details, refer to the replacement procedure in the text. Remove the anti-static pin when replacing the traverse unit. Be careful not to take too long a time when attaching it to the connector.
3. Handle the flexible cable carefully as it may break when subjected to strong force.
4. It is not possible to adjust the semi-fixed resistor that adjusts the laser power. Do not turn it

Attention when traverse unit is decomposed

***Please refer to "Disassembly method" in the text for pick-up and how to detach the substrate.**

1. Solder is put up before the card wire is removed from connector on the CD substrate as shown in Figure.
(When the wire is removed without putting up solder, the CD pick-up assembly might destroy.)
2. Please remove solder after connecting the card wire with when you install picking up in the substrate.



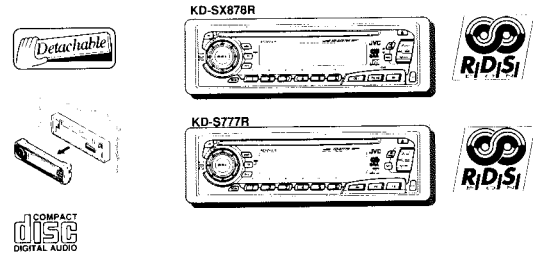
KD-SX878R
KD-S777R

Instructions

JVC

CD RECEIVER
CD-RECEIVER
RECEPTEUR CD
CD-RECEIVER

KD-SX878R/KD-S777R



For installation and connections, refer to the separate manual.
Für den Einbau und die Anschlüsse siehe das eigenständige Handbuch.
Pour l'installation et les raccordements, se référer au manuel séparé.
Bijzonderheden over de installatie en aansluiting van het apparaat vindt u in de desbetreffende handleiding.

INSTRUCTIONS BEDIENUNGSANLEITUNG MANUEL D'INSTRUCTIONS GEBRUIKSAANWIJZING

ENGLISH
DEUTSCH
FRANÇAIS
NEDERLANDS

Having TROUBLE with operation?

Please reset your unit

Refer to page of How to reset your unit

Haben Sie PROBLEME mit dem Betrieb?

Bitte setzen Sie Ihr Gerät zurück

Siehe Seite Zurücksetzen des Geräts

Vous avez des PROBLÈMES de fonctionnement?

Réinitialisez votre appareil

Référez-vous à la page intitulée Comment réinitialiser votre appareil

Hebt u PROBLEMEN met de bediening?

Stel het apparaat terug

Zie de pagina met de paragraaf Het apparaat terugstellen

JVC
VICTOR COMPANY OF JAPAN, LIMITED

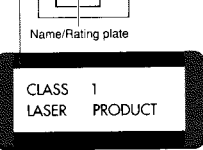
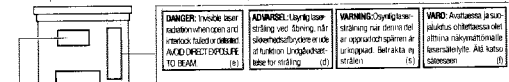
EN, GE, FR, NL

1299MNMMDWJES

FSUN3117-31
[E]

Position And Reproduction Of Labels

Bottom panel of the main unit



Caution:
This product contains a laser component of higher laser class than Class 1.

IMPORTANT FOR LASER PRODUCTS

- Precautions:**
1. CLASS 1 LASER PRODUCT
 2. **DANGER:** Invisible laser radiation when open and interlock failed or defeated. Avoid direct exposure to beam.
 3. **CAUTION:** Do not open the top cover. There are no user-serviceable parts inside. Leave all servicing to qualified service personnel.
 4. **CAUTION:** This CD player uses invisible laser radiation and is equipped with safety switches to prevent radiation emission when unloading CDs. It is dangerous to defeat the safety switches.
 5. **CAUTION:** Use of controls, adjustments or performance of procedures other than those specified herein may result in hazardous radiation exposure.

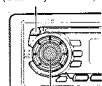
How to reset your unit

Press and hold both the SEL (Select) and ϕ /I/ATT (Standby/On/ATT) buttons at the same time for several seconds. This will reset the built-in microcomputer.

Notes:

- Your preset adjustments — such as preset channels or sound adjustments — will also be erased.
- If a CD is in the unit, it will eject when you reset the unit. Pay attention not to drop the CD.

ϕ /I/ATT
(Standby/On/ATT)



SEL (Select)

Note:

For security reasons, a numbered ID card is provided with this unit, and the same ID number is imprinted on the unit's chassis. Keep the card in a safe place, as it will help the authorities to identify your unit if stolen.

BEFORE USE

*** For safety...**

- Do not raise the volume level too much, as this will block outside sounds, making driving dangerous.
- Stop the car before performing any complicated operations.

*** Temperature inside the car...**

- If you have parked the car for a long time in hot or cold weather, wait until the temperature in the car becomes normal before operating the unit.

CONTENTS

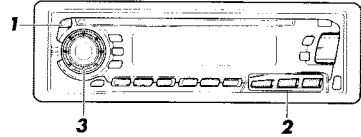
How to reset your unit	2
BASIC OPERATIONS	5
RADIO BASIC OPERATIONS	6
Listening to the radio	6
Storing stations in memory	7
FM station automatic preset: SSM	7
Manual preset	8
Tuning into a preset station	9
Selecting FM reception sound	9
RDS OPERATIONS	10
What you can do with RDS EON	10
Tracing the same programme automatically (Network-Tracking Reception)	10
Using Standby Reception	12
Selecting Your Favorite Programme for PTY Standby Reception	13
Searching Your Favorite Programme	13
Other convenient RDS functions and adjustments	16
Automatic selection of the station when using the number buttons	16
Changing the display mode while listening to an FM station	17
Setting the TA volume level	17
Automatic clock adjustment	17
CD OPERATIONS	18
Playing a CD	18
Locating a track or a particular portion on a CD	19
Selecting CD playback modes	20
Prohibiting CD ejection	21
SOUND ADJUSTMENTS	22
Adjusting the sound	22
Using the Sound Control Memory	23
Selecting and storing the sound modes	23
Recalling the sound modes	24
Storing your own sound adjustments	25

CONTINUED TO THE NEXT PAGE

OTHER MAIN FUNCTIONS	26
Setting the clock	26
Changing the general settings	27
Basic Procedure	27
Canceling Advanced SCM	28
Selecting 24-hour or 12-hour clock	29
Selecting the level display	29
Selecting the display mode while using the CD changer (ONLY FOR KD-SX878R)	29
Selecting the telephone muting	30
Selecting the external component to use (ONLY FOR KD-SX878R)	30
Detaching the control panel	31
REMOTE OPERATIONS	32
(With an optionally purchased remote controller)	
Installing the battery	32
Using the remote controller	33
CD CHANGER OPERATIONS	34
(ONLY FOR KD-SX878R)	
Playing CDs	34
Selecting CD playback modes	36
EXTERNAL COMPONENT OPERATIONS	37
(ONLY FOR KD-SX878R)	
DAB TUNER OPERATIONS	38
(ONLY FOR KD-SX878R)	
Tuning into an ensemble and one of the services	38
Storing DAB services in memory	40
Tuning into a preset DAB service	42
MAINTENANCE	43
Handling CDs	43
TROUBLESHOOTING	44
SPECIFICATIONS	45



BASIC OPERATIONS



Note:
When you use this unit for the first time, set the built-in lock correctly. (See page 26.)

- 1** Turn on the power.
Note on One-Touch Operation:
When you select a source in step 2 below, the power automatically comes on. You do not have to press this button to turn on the power.
- 2** Select the source.

KD-SX878R		To operate the tuner, see pages 6 – 17. To operate the CD player, see pages 18 – 21.
KD-S777R		ONLY FOR KD-SX878R To operate the CD changer, see pages 34 – 36. To operate the external component, see page 37. To operate the DAB tuner, see pages 38 – 42.
- 3** Adjust the volume.

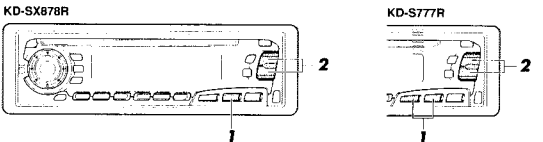
Volume level indicator	Volume level appears.
- 4** Adjust the sound as you want (see pages 22 – 25).

To drop the volume in a moment
Press \odot /I/ATT briefly while listening to any source. "ATT" starts flashing on the display, and the volume level will drop in a moment.
To resume the previous volume level, press the button briefly again.
To turn off the power
Press \odot /I/ATT for more than 1 second.

CAUTION on Volume Setting
CDs produce very little noise compared with other sources. If the volume level is adjusted for the tuner, for example, the speakers may be damaged by the sudden increase in the output level. Therefore, lower the volume before playing a disc and adjust it as required during playback.

RADIO BASIC OPERATIONS

Listening to the radio



- 1** Select the band (FM1, FM2, FM3 or AM).
You can select any one of FM1, FM2, and FM3 to listen to an FM station.

KD-SX878R		
KD-S777R		

- 2** Start searching a station.
When a station is received, searching stops.

<p>To search stations of higher frequencies.</p>	<p>To search stations of lower frequencies.</p>	
--	---	--

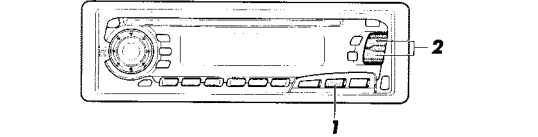
To stop searching before a station is received, press the same button you have pressed for searching.

- To tune in a particular frequency without searching**
- 1 Select the band (FM or AM).
 For **KD-SX878R**: Press FM/AM repeatedly.
 For **KD-S777R**: Press FM or AM.
 - 2 Press and hold \blacktriangleright or \blacktriangleleft until "M" (for Manual) starts flashing on the display. Now you can manually change the frequency while "M" is flashing.
 - 3 Press \blacktriangleright or \blacktriangleleft repeatedly until the frequency you want is reached.
 • If you hold down the button, the frequency keeps changing (in 50 kHz intervals for FM and 9kHz intervals for AM–MW/LW) until you release the button.

Storing stations in memory

You can use one of the following two methods to store broadcasting stations in memory.
 • Automatic preset of FM stations: SSM (Strong-station Sequential Memory)
 • Manual preset of both FM and AM stations

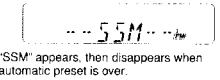
FM station automatic preset: SSM
You can preset 6 local FM stations in each FM band (FM1, FM2 and FM3).



- 1** Select the FM band number (FM1, FM2 or FM3) you want to store FM stations into.

KD-SX878R		
KD-S777R		

- 2** Press and hold both buttons for more than 2 seconds.



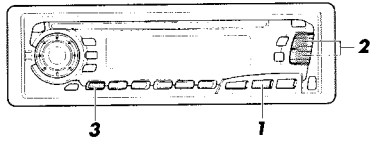
Local FM stations with the strongest signals are searched and stored automatically in the band number you have selected (FM1, FM2 or FM3). These stations are preset in the number buttons—No. 1 (lowest frequency) to No. 6 (highest frequency). When automatic preset is over, the station stored in number button 1 will be automatically tuned in.

ENGLISH

Manual preset

You can preset up to 6 stations in each band (FM1, FM2, FM3 and AM) manually.

EXAMPLE: Storing an FM station of 88.3 MHz into the preset channel number 1 of the FM1 band



- 1 **KD-SX878R** **KD-S777R** Select the FM1 band.
- 2 Tune into a station of 88.3 MHz.
 See page 6 to tune into a station.
- 3 Press and hold the number button (in this example, 1) for more than 2 seconds.

"P1" flashes for a few seconds.
- 4 Repeat the above procedure to store other stations into other preset channel numbers.

Notes:

- A previously preset station is erased when a new station is stored in the same preset channel number.
- Preset stations are erased when the power supply to the memory circuit is interrupted (for example, during battery replacement). If this occurs, preset the stations again.

8

RDS OPERATIONS

What you can do with RDS EON

RDS (Radio Data System) allows FM stations to send an additional signal along with their regular programme signals. For example, the stations send their station names, as well as information about what type of programme they broadcast, such as sports or music, etc. Another advantage of RDS function is called "EON (Enhanced Other Networks)." The EON indicator lights up while receiving an FM station with the EON data. By using the EON data sent from a station, you can tune into a different station of a different network broadcasting your favorite programme or traffic announcement while listening to another programme or to another source such as CD.

- By receiving the RDS data, this unit can do the following:
- Tracing the same programme automatically (Network-Tracking Reception)
 - Standby Reception of TA (Traffic Announcement) or your favorite programme
 - PTY (Programme Type) search
 - TP (Traffic Programme) search
 - And some other functions

Tracing the same programme automatically (Network-Tracking Reception)

When driving in an area where FM reception is not good, the tuner built in this unit automatically tune in another RDS station, broadcasting the same programme with stronger signals. So, you can continue to listen to the same programme in its finest reception, no matter where you drive. (See the illustration on the next page.)

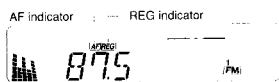
Two types of the RDS data are used to make Network-Tracking Reception work correctly -- PI (Programme Identification) and AF (Alternative Frequency).

Without receiving these data correctly from the RDS station you are listening to, Network-Tracking Reception will not operate.



To use Network-Tracking Reception, press and hold TP RDS (Traffic Programme/Radio Data System) for more than 1 second. Each time you press and hold the button, Network-Tracking Reception modes change as follows:

Mode 1 → Mode 2 → Mode 3



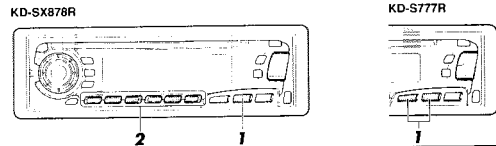
10



Tuning into a preset station

You can easily tune into a preset station.

Remember that you must store stations first. If you have not stored them yet, see pages 7 and 8.

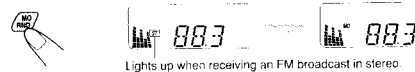


- 1 Select the band (FM1, FM2, FM3 or AM) you want.
- 2 Select the number (1 – 6) for the preset station you want.

Selecting FM reception sound

When an FM stereo broadcast is hard to receive:

Press MO RND (Monaural/Random) while listening to an FM stereo broadcast. The MO indicator lights up on the display. The sound you hear becomes monaural but reception will be improved.



To restore the stereo effect, press the same button again.

9



ENGLISH

Mode 1

The AF indicator lights up but the REG indicator does not. Network-Tracking is activated with Regionalization set to "off." Switches to another station within the same network when the receiving signals from the current station become weak.

Note:

In this mode, the programme may differ from the one currently received.

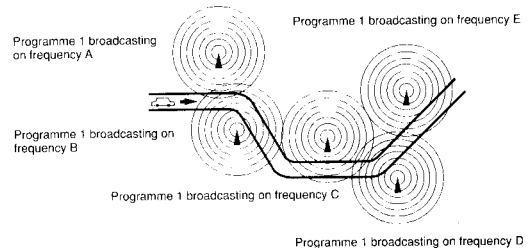
Mode 2

Both the AF indicator and the REG indicator light up. Network-Tracking is activated with Regionalization set to "on." Switches to another station, within the same network, broadcasting the same programme when the receiving signals from the current station become weak.

Mode 3

Neither the AF indicator nor the REG indicator lights up. Network-Tracking is deactivated.

The same programme can be received on different frequencies.



11

ENGLISH

Using Standby Reception

Standby Reception allows the unit to switch temporarily to your favorite programme (PTY: Programme Type) and Traffic Announcement (TA) from the current source — another FM station and CD.

Note:
Standby Reception will not work if you are listening to an AM station.

TA Standby Reception



• When you press TP RDS while listening to an FM station, the TP indicator is lit during reception of a TP (Traffic Programme) station and the TA standby mode is engaged.

Note:
When the station being received is not a TP station, the TP indicator flashes. Press **SEL** or **TA** to engage the TA standby mode. "SEARCH" appears on the display, and TP station search starts. When a TP station is tuned in, the TP indicator is lit.

• If you are listening to a CD, and wish to listen to a TP station, press TP RDS to enter the TA standby mode. (The TP indicator lights up.)

If a traffic programme starts broadcasting while the TA standby mode is active, "TRAFFIC" appears and the playback source changes to the FM band. The volume increases to the preset TA volume level and the traffic programme can be heard (see page 17).

To deactivate the TA standby mode, press TP RDS again.

PTY Standby Reception



• When you press PTY while listening to an FM station, the PTY indicator is lit during reception of a PTY station and the PTY standby mode is engaged. The selected PTY name stored on page 14 flashes for 5 seconds.

Note:
When the station being received is not a PTY station, the PTY indicator flashes. Press **SEL** or **PTY** to engage the PTY standby mode. "SEARCH" appears on the display, and PTY station search starts. When a PTY station is tuned in, the PTY indicator is lit.

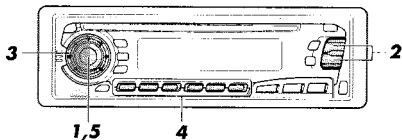
• If you are listening to a CD, and wish to listen to a selected PTY broadcast, press PTY to enter the PTY standby mode. (The PTY indicator lights up.)

If the selected PTY programme starts broadcasting while the PTY standby mode is active, the selected PTY name appears and the playback source changes to the FM band. The selected PTY programme can then be heard.

To deactivate the PTY standby mode, press PTY again.



To store your favorite programme types



1 Press and hold SEL (select) for more than 2 seconds to enter the general setting mode (see page 27).

2 Select "PTY SRCH (search)" if not shown on the display.

3 Select one of twenty-nine PTY codes. (See page 16.)
Selected code name appears on the display.
• If the code already stored in memory is selected, it will flash on the display.

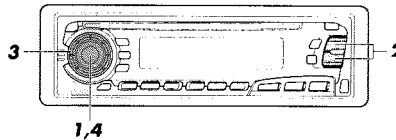
4 Press and hold the number button for more than 2 seconds to store the PTY code selected into the preset number you want. The selected code name will flash on the display.

5 Finish the setting.

ENGLISH

Selecting Your Favorite Programme for PTY Standby Reception

You can select your favorite programme for PTY Standby Reception to store in memory. When shipped from the factory, "NEWS" is stored as the programme type for PTY Standby Reception.



1 Press and hold SEL (select) for more than 2 seconds to enter the general setting mode (see page 27).

2 Select "PTY STBY (standby)" if not shown on the display.

3 Select one of twenty-nine PTY codes. (See page 16.)
Selected code name appears on the display and is stored into memory.

4 Finish the setting.

Searching Your Favorite Programme

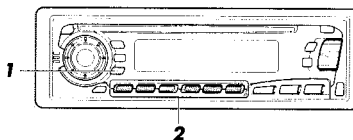
You can search one of your 6 favorite programme types stored in memory. When shipped from the factory, the following 6 programme types have been stored in the number buttons (1 to 6).

To change the factory preset settings, see page 14.
To search your favorite programme, see page 15.

1	2	3	4	5	6
POP M	ROCK M	EASY M	CLASSICS	AFFAIRS	VARIED



To search your favorite programme type



1 Press and hold PTY (programme type) for more than 1 second while listening to an FM station.
The last selected PTY code appears.



2 Select one of PTY codes stored in preset number buttons (1 to 6).



Ex. When "ROCK M" is stored in preset number button 2.

PTY search for your favorite programme starts after 5 seconds.

• If there is a station broadcasting a programme of the same PTY code you selected, that station is tuned in.
• If there is no station broadcasting a programme of the same PTY code you selected, the station will not change.

Note:
In some areas, the PTY search will not work correctly.



Other convenient RDS functions and adjustments

Automatic selection of the station when using the number buttons

Usually when you press the number button, the preset station is tuned in. However, when the preset station is an RDS station, something different will happen. If the signals from that preset station are not sufficient for good reception, this unit, using the AF data, tunes in another frequency broadcasting the same programme as the original preset station is broadcasting. In case no other station is tuned in, you can also search all receivable frequencies for the same programme. (Programme search) To activate programme search, follow the procedure below.

- Programme search takes a while.
- See also "Changing the general settings" on page 27.

1. Press and hold SEL (select) for more than 2 seconds to call up the general setting mode.
2. Press \blacktriangle or \blacktriangleright or \blacktriangleright or \blacktriangleleft to select "P(programme)-SEARCH."
3. Select "ON" by turning the control dial clockwise.

Now programme search is activated.

To cancel programme search, repeat the same procedure and select "OFF" in step 3 by turning the control dial counterclockwise.

PTY codes

NEWS:	News	SOCIAL:	Programmes on social activities
AFFAIRS:	Topical programmes expanding on current news or affairs	RELIGION:	Programmes dealing with any aspect of belief or faith, or the nature of existence or ethics
INFO:	Programmes which impart advice on a wide variety of topics	PHONE IN:	Programmes where people can express their views either by phone or in a public forum
SPORT:	Sport events	TRAVEL:	Programmes about travel destinations, package tours, and travel ideas and opportunities
EDUCATE:	Educational programmes	LEISURE:	Programmes concerned with recreational activities such as gardening, cooking, fishing, etc.
DRAMA:	Radio plays	JAZZ:	Jazz music
CULTURE:	Programmes on national or regional culture	COUNTRY:	Country music
SCIENCE:	Programmes on natural science and technology	NATION M:	Current popular music from another nation or region, in that country's language
VARIED:	Other programmes like comedies or ceremonies	OLDIES:	Classic pop music
POP M:	Pop music	FOLK M:	Folk music
ROCK M:	Rock music	DOCUMENT:	Programmes dealing with factual matters, presented in an investigative style
EASY M:	Easy-listening music		
LIGHT M:	Light music		
CLASSICS:	Classical music		
OTHER M:	Other music		
WEATHER:	Weather information		
FINANCE:	Reports on commerce, trading, the Stock Market, etc.		
CHILDREN:	Entertainment programmes for children		

16

Changing the display mode while listening to an FM station

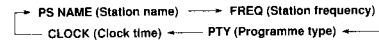
You can change the initial indication on the display to station name (PS NAME), station frequency (FREQ), or clock time (CLOCK) while listening to an FM RDS station.

- See also "Changing the general settings" on page 27.

1. Press and hold SEL (select) for more than 2 seconds to call up the general setting mode.
2. Press \blacktriangle or \blacktriangleright or \blacktriangleright or \blacktriangleleft to select "DISPMODE (display mode)."
3. Set to the desired indication (station name, station frequency or clock time) with the control dial.

Note:

By pressing DISP, you can also change the display while listening to an FM RDS station. Each time you press the button, the following information appears on the display:



* Then, the display goes back to the original indication in several seconds.

Setting the TA volume level

You can preset the volume level for TA Standby Reception. When a traffic programme is received, the volume level automatically changes to the preset level.

- See also "Changing the general settings" on page 27.

1. Press and hold SEL (select) for more than 2 seconds to call up the general setting mode.
2. Press \blacktriangle or \blacktriangleright or \blacktriangleright or \blacktriangleleft to select "TA VOL (volume)."
3. Set to the desired volume level with the control dial.

Automatic clock adjustment

When shipped from the factory, the clock built in this unit is set to be readjusted automatically using the CT (Clock Time) data in the RDS signal.

If you do not want to use automatic clock adjustment, follow the procedure below.

- See also "Changing the general settings" on page 27.

1. Press and hold SEL (select) for more than 2 seconds to call up the general setting mode.
2. Press \blacktriangle or \blacktriangleright or \blacktriangleright or \blacktriangleleft to select "AUTO ADJ (adjust)."
3. Select "OFF" by turning the control dial counterclockwise.

Now automatic clock adjustment is canceled.

To reactivate clock adjustment, repeat the same procedure and select "ON" in step 3 by turning the control dial clockwise.

Note:

It takes about 2 minutes to adjust the time using the CT data. So, you must tune to the station for more than 2 minutes continuously; otherwise, the clock time will not be adjusted.

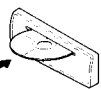
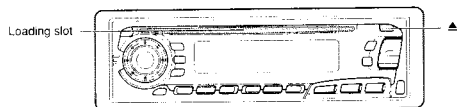
17



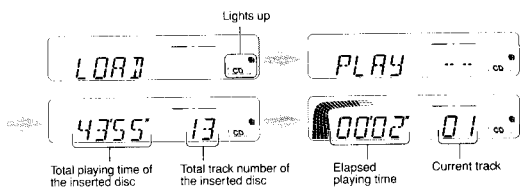
CD OPERATIONS



Playing a CD



Insert a disc into the loading slot.
The unit turns on, draws a CD and starts playback automatically.



Note:

When a CD is inserted upside down, the CD ejects automatically.

Note on One-Touch Operation:

When a CD is already in the loading slot, pressing CD turns on the unit and starts playback automatically.

To stop play and eject the CD

Press \blacktriangle .

CD play stops and the CD automatically ejects from the loading slot.

If you change the source to FM or AM (or CD changer: ONLY FOR KD-SX878R), the CD play also stops (without ejecting the CD this time).

Notes:

- If the ejected disc is not removed for about 18 seconds, the disc is automatically inserted again into the loading slot to protect it from dust. (CD play will not start this time.)
- You can eject the CD even when the unit is turned off.

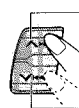
18

Locating a track or a particular portion on a CD

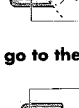


Number buttons

To fast-forward or reverse the track

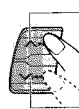


Press and hold \blacktriangleright or \blacktriangleright , while playing a CD, to fast-forward the track.



Press and hold \blacktriangleleft or \blacktriangleleft , while playing a CD, to reverse the track.

To go to the next tracks or the previous tracks

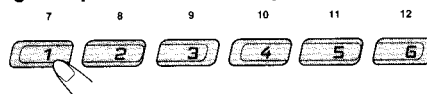


Press \blacktriangle or \blacktriangleright briefly, while playing a CD, to go ahead to the beginning of the next tracks. Each time you press the button consecutively, the beginning of the next tracks is located and played back.



Press \blacktriangleleft or \blacktriangleleft briefly, while playing a CD, to go back to the beginning of the current track. Each time you press the button consecutively, the beginning of the previous tracks is located and played back.

To go to a particular track directly



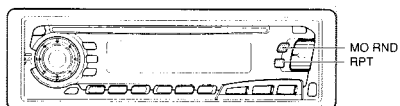
Press the number button corresponding to the track number to start playback.

- To select a track number from 1 – 6:
Press 1 (7) – 6 (12) briefly.
- To select a track number from 7 – 12:
Press and hold 1 (7) – 6 (12) for more than 1 second.

19

ENGLISH

Selecting CD playback modes

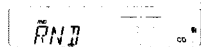


To play back tracks at random (Random Play)

You can play back all tracks on the CD at random.



Each time you press MO RND (Monaural/Random) while playing a CD, CD random play mode turns on and off alternately. When the random mode is turned on, the RND indicator lights up on the display and a track randomly selected starts playing.



• To select the next track at random, press $\blacktriangle \blacktriangleright$ briefly.

To play back tracks repeatedly (Repeat Play)

You can play back the current track repeatedly.



Each time you press RPT (Repeat) while playing a CD, CD repeat play mode turns on and off alternately. When the repeat mode is turned on, the RPT indicator lights up on the display.



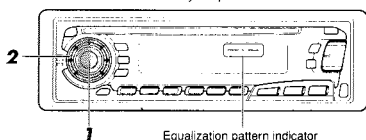
20

SOUND ADJUSTMENTS

ENGLISH

Adjusting the sound

You can adjust the sound characteristics to your preference.



1



Select the item you want to adjust.



Indication	To do:	Range
BAS (Bass)	Adjust the bass	-06 (min.) — +06 (max.)
TRE (Treble)	Adjust the treble	-06 (min.) — +06 (max.)
FAD (Fader)*	Adjust the front and rear speaker balance	R06 (rear only) — F06 (front only)
BAL (Balance)	Adjust the left and right speaker balance	L06 (left only) — R06 (right only)
LOUD (Loudness)	Boost low and high frequencies to produce a well-balanced sound at low volume level.	LOUD ON — LOUD OFF
VOL (Volume)	Adjust the volume	00 (min.) — 50 (max.)

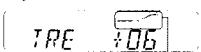
Note:

* If you are using a two-speaker system, set the fader level to "00."

2



Adjust the level.



Equalization pattern changes as you adjust the bass or treble.

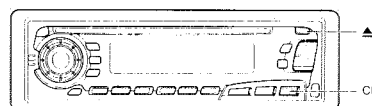
Note:

Normally the control dial works for volume adjustment. So you do not have to select "VOL" to adjust the volume level.

22

ENGLISH

Prohibiting CD ejection



You can prohibit CD ejection and can "lock" a CD in the loading slot.

While pressing CD, press \blacktriangle for more than 2 seconds. "EJECT" flashes on the display for about 5 seconds, and the CD is "locked" and cannot be ejected.



To cancel the prohibition and "unlock" the CD, press and hold \blacktriangle again for more than 2 seconds, while pressing CD. "EJECT" appears on the display, and the CD ejects from the loading slot.

ENGLISH

21

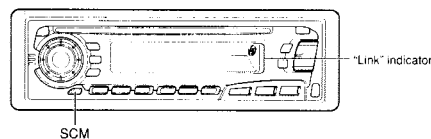
Using the Sound Control Memory

You can select and store a preset sound adjustment suitable to each playback source. (Advanced SCM)

Selecting and storing the sound modes

Once you select a sound mode, it is stored in memory, and will be recalled every time you select the same source. A sound mode can be stored for each of the following sources — FM1, FM2, FM3, AM and CD (and external components: ONLY FOR KD-SX878R).

• If you do not want to store the sound mode separately for each playback source, but want to use the same sound mode for all the sources, see "Canceling Advanced SCM" on page 28.



Select the sound mode you want.

Each time you press the button, the sound mode changes as follows:



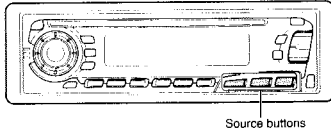
- If the "Link" indicator is lit on the display (with "SCM LINK" set to "LINK ON"—see page 28), the selected sound mode can be stored in memory for the current source, and the effect applies to the current source.
- If the "Link" indicator is NOT lit on the display (with "SCM LINK" set to "LINK OFF"), the selected sound mode effect applies to any source.

Indication	For:	Preset values		
		Bass	Treble	Loudness
SCM OFF	(Flat sound)	00	00	On
BEAT	Rock or disco music	+02	00	On
SOFT	Quiet background music	+01	-03	Off
POP	Light music	+04	+01	Off

ENGLISH

23

Recalling the sound modes

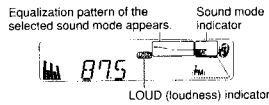


KD-SX878R



Select the source while the "Link" indicator is lit on the display.
The "Link" indicator starts flashing, and the sound mode stored in memory for the selected source is recalled.

KD-S777R

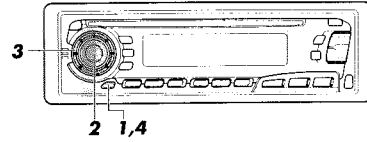


Notes:

- You can adjust each sound mode to your preference, and store it in memory. If you want to adjust and store your original sound mode, see "Storing your own sound adjustments" on page 25.
- To adjust the bass and treble reinforcement levels or to turn on/off the loudness function temporarily, see page 22. (Your adjustments will be canceled if another source is selected.)

Storing your own sound adjustments

You can adjust the sound modes (BEAT, SOFT, POP; see page 23) to your preference and store your own adjustments in memory.



1



Call up the sound mode you want to adjust.
See page 23 for details.

2



Select "BAS (Bass)," "TRE (Treble)" or "LOUD (Loudness)."

3



Within 5 seconds

Adjust the bass or treble level or turn the loudness function ON/OFF.
See page 22 for details.

4



Press and hold SCM (Sound Control Memory) until the sound mode you have selected in step 1 flashes on the display.
Your setting is stored in memory.

5

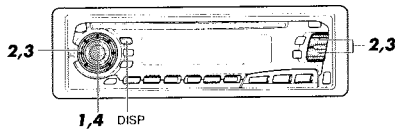
Repeat the same procedure to store other settings.

To reset to the factory settings

Repeat the same procedure and reassign the preset values listed in the table on page 23.

OTHER MAIN FUNCTIONS

Setting the clock

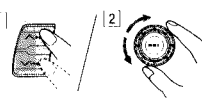


1



Press and hold the button for more than 2 seconds to call up the general settings mode.

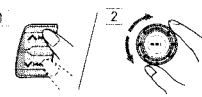
2



Set the hour.

- Select "CLOCK H (Hour)" if not shown on the display.
- Adjust the hour.

3



Set the minute.

- Select "CLOCK M (Minute)."
- Adjust the minute.

4



Finish the setting.

To check the current clock time (changing the display mode)

Press DISP repeatedly. Each time you press the button, the display mode changes as follows:

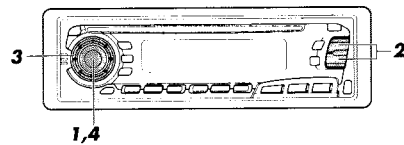
During tuner operation: Clock ↔ Frequency	During CD operation: Clock ↔ Elapsed playing time
Note: For the indication change during RDS operation, see page 17.	During external component operation (ONLY FOR KD-SX878R): LINE IN ↔ Clock
During CD changer operation (ONLY FOR KD-SX878R): Clock → Disc number → Elapsed playing time	
Note: For the indication change during DAB operation, see page 39.	

- If the unit is not in use when you press DISP, the power turns on, the clock time is shown for 5 seconds, then the power turns off.

Changing the general settings

You can change the items listed on the next page.

Basic Procedure



1



Press and hold the button for more than 2 seconds to call up the general settings mode.

2



Select the item you want to adjust. (See page 28.)

3



Select or adjust the item selected above.

4



Finish the setting.



ENGLISH

1	2	3	Factory preset settings	See page	
CLOCK H	Hour adjustment	Back	Advance	0:00	26
CLOCK M	Minute adjustment	Back	Advance		
SCM LINK	Sound control memory linkage	LINK OFF	LINK ON	LINK ON	below
24H/12H	24/12-hour time display	12H	24H	24H	29
AUTO ADJ	Automatic setting of the clock	OFF	ON	ON	17
DISPMODE	Display mode	PS NAME ↔	FREQ ↕	PS NAME	17
CH DISP	Changer display (ONLY FOR KD-SX878R)	TIME	DISC	DISC	29
PTY STBY	PTY standby	29 programme types (See page 16.)		NEWS	13
PTY SRCH	PTY search			(See page 13.)	13
TA VOL	Traffic announcement volume	VOL (00 - 50)		VOL 20	17
P-SEARCH	Programme search	OFF	ON	OFF	16
LEVEL	Level display	AUDIO 1 ↔	AUDIO 2 ↕	AUDIO 2	29
TEL	Audio mute for cellular phone system	OFF	MUTING 1 ↕	OFF	30
LINE IN*	External component (ONLY FOR KD-SX878R)	CHANGER	LINE IN	CHANGER	30

* Displayed only when one of the following sources is selected — FM, AM and CD.
• Press SEL (select) when the setting is complete.

Canceling Advanced SCM

You can cancel the Advanced SCM (Sound Control Memory), and unlink the sound modes and the playback sources.

When shipped from the factory, a different sound mode can be stored in memory for each source so that you can change the sound modes simply by changing the sources.

- LINK ON: Advanced SCM (different sound modes for different sources)
- LINK OFF: Conventional SCM (one sound mode for all sources)

1. Press and hold SEL (Select) for more than 2 seconds to call up the general settings mode.
2. Select "SCM LINK" with ▲▶▶ or ▼◀◀.
3. Select the desired mode with the control dial.

The SCM LINK mode changes as follows:

LINK ON ↔ LINK OFF

28

29



ENGLISH

Selecting the telephone muting

This mode is used when a cellular phone system is connected. Depending on the phone system used, select either "MUTING 1" or "MUTING 2", whichever mutes the sounds from this unit.

When shipped from the factory, this mode is deactivated.

- MUTING 1: Select this if this setting can mute the sounds.
- MUTING 2: Select this if this setting can mute the sounds.
- OFF: Cancels the telephone muting.

1. Press and hold SEL (Select) for more than 2 seconds to call up the general settings mode.
2. Select "TEL" with ▲▶▶ or ▼◀◀.
3. Select "MUTING 1," "MUTING 2" or "OFF" with the control dial.

The telephone muting mode changes as follows:

MUTING 1 ↔ MUTING 2 ↔ OFF

Selecting the external component to use (ONLY FOR KD-SX878R)

You can connect the external component to the CD changer jack on the rear using the Line Input Adaptor KS-U57 (not supplied).

To use the external component as the playback source through this unit, you need to select which component — CD changer or external component — to use. When shipped from the factory, CD changer is selected as the external component.

- LINE IN: To use the external component other than CD changer
- CHANGER: To use the CD changer

1. To change the source to FM, AM or CD, press FM/AM or CD.
2. Press and hold SEL (Select) for more than 2 seconds to call up the general settings mode.
3. Select "LINE IN" with ▲▶▶ or ▼◀◀.
4. Select the desired mode with the control dial.

The external component selecting mode changes as follows:

LINE IN ↔ CHANGER

Note:

For connecting the Line Input Adaptor KS-U57 and the external component, refer to the Installation Connection Manual (separate volume).

30

Selecting 24-hour or 12-hour clock

You can change the clock built in this unit either to 24-hour system or 12-hour system.

1. Press and hold SEL (Select) for more than 2 seconds to call up the general settings mode.
2. Select "24H/12H" with ▲▶▶ or ▼◀◀.
3. Select "24H" or "12H" with the control dial.

The clock alternates between 24-hour system and 12-hour system.

24H ↔ 12H

Selecting the level display

You can select the level display according to your preference.

When shipped from the factory, "AUDIO 2" is selected.

- AUDIO 1: Shows the audio level indicator and the equalization pattern indicator.
- AUDIO 2: Alternates "AUDIO 1" setting and illumination display.
- OFF: Erases the audio level indicator and the equalization pattern indicator.

1. Press and hold SEL (Select) for more than 2 seconds to call up the general settings mode.
2. Select "LEVEL" with ▲▶▶ or ▼◀◀.
3. Select the desired mode with the control dial.

The level display setting changes as follows:

AUDIO 1 ↔ AUDIO 2 ↔ OFF

Selecting the display mode while using the CD changer (ONLY FOR KD-SX878R)

You can change the initial indication on the display either to disc number or to elapsed playing time, while using the CD changer.

1. Press and hold SEL (Select) for more than 2 seconds to call up the general settings mode.
2. Select "CH DISP" with ▲▶▶ or ▼◀◀.
3. Select "DISC" or "TIME" with the control dial.

DISC ↔ TIME

Detaching the control panel

You can detach the control panel when leaving the car. When detaching or attaching the control panel, be careful not to damage the connectors on the back of the control panel and on the panel holder.

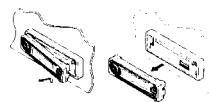
How to detach the control panel

Before detaching the control panel, be sure to turn off the power.

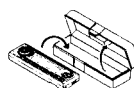
1. Unlock the control panel.



2. Lift and pull the control panel out of the unit.

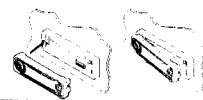


3. Put the detached control panel into the provided case.



How to attach the control panel

1. Insert the left side of the control panel into the groove on the panel holder.

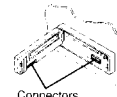


2. Press the right side of the control panel to fix it to the panel holder.



Note on cleaning the connectors:

If you frequently detach the control panel, the connectors will deteriorate. To minimize this possibility, periodically wipe the connectors with a cotton swab or cloth moistened with alcohol, being careful not to damage the connectors.



Connectors

31

ENGLISH

ENGLISH

REMOTE OPERATIONS

(With an optionally purchased remote controller)

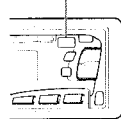
ENGLISH

We recommend that you use remote controller RM-RK31 with your unit. The followings are the instructions for using RM-RK31.

Before using the remote controller:

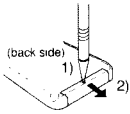
- Aim the remote controller directly at the remote sensor on the main unit. Make sure there is no obstacle in between.
- Do not expose the remote sensor to strong light (direct sunlight or artificial lighting).

Remote sensor



Installing the battery

When the controllable range or effectiveness of the remote controller decreases, replace the battery.



1. Remove the battery holder.

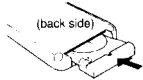
- 1) Push out in the direction indicated by the arrow using a ball point pen or a similar tool.
- 2) Remove the battery holder.

Lithium coin battery
(product number:
CR2025)



2. Place the battery.

- Slide the battery into the holder with the + side facing upwards so that the battery is fixed in the holder.



3. Return the battery holder.

- Insert again the battery holder pushing it until you hear a clicking sound.

WARNING:

- Store the batteries in a place which children cannot reach.
- If a child accidentally swallows the battery, immediately consult a doctor.
- Do not recharge, short, disassemble or heat the batteries or dispose of in a fire.
- Doing any of these things may cause the batteries to give off heat, crack or start a fire.
- Do not leave the batteries with other metallic materials.
- Doing this may cause the batteries to give off heat, crack or start a fire.
- When throwing away or saving the batteries, wrap in tape and insulate; otherwise, it may cause the batteries to give off heat, crack or start a fire.
- Do not poke the batteries with tweezers or similar tools.
- Doing this may cause the batteries to give off heat, crack or start a fire.

32

CD CHANGER OPERATIONS

This section is ONLY FOR KD-SX878R, when used with a JVC CD automatic changer (separately purchased).

We recommend that you use one of the CH-X series with your unit.

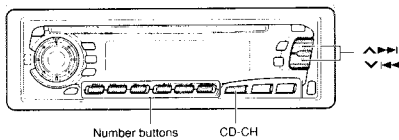
If you have another CD automatic changer, consult your JVC IN-CAR ENTERTAINMENT dealer for connections.

- For example, if your CD automatic changer is one of the KD-MK series, you need a cord (KS-U15K) for connecting to this unit.

Before operating your CD automatic changer:

- Refer also to the instructions supplied with your CD changer.
- If no discs are in the magazine of the CD changer or the discs are inserted upside down, "NO DISC" will appear on the display. If this happens, remove the magazine and set the discs correctly.
- If "RESET 1 - RESET 0" appears on the display, something is wrong with the connection between this unit and the CD changer. If this happens, check the connection, connect the connecting cord(s) firmly if necessary, then press the reset button of the CD changer.

Playing CDs



Number buttons CD-CH



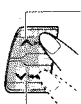
Select the CD automatic changer.

Playback starts from the first track of the first disc.
All tracks of all discs are played back.

Note on One-Touch Operation:

When you press CD-CH, the power automatically comes on. You do not have to press P/ATT to turn on the power.

To fast-forward or reverse the track

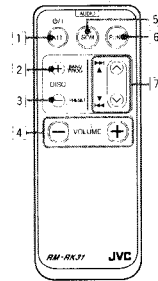


Press and hold FF , while playing a CD, to fast-forward the track.

Press and hold REW , while playing a CD, to reverse the track.

34

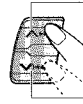
Using the remote controller



- 1) Functions the same as the P/ATT button on the main unit.
- 2) • Functions as the BAND button while listening to the radio (or the DAB tuner).
Each time you press the button, the band changes.
• Functions as the DISC + button while listening to the CD changer.
Each time you press the button, the disc number increases, and the selected disc starts playing.
• Does not function as the PROG button.
- 3) • Functions as the PRESET button while listening to the radio (or the DAB tuner).
Each time you press the button, the preset station number increases, and the selected station is tuned in.
• Functions as the DISC - button while listening to the CD changer.
Each time you press the button, the disc number decreases, and the selected disc starts playing.
- 4) Functions the same as the control dial on the main unit.
Note: This button does not function for the general settings mode adjustment.
- 5) Selects the sound mode.
Each time you press SCM (Sound Control Memory), the mode changes.
- 6) Selects the source.
Each time you press FUNC (function), the source changes.
- 7) • Searches stations while listening to the radio.
• Selects services while listening to the DAB tuner if pressed briefly.
• Searches ensembles while listening to the DAB tuner if pressed for more than 1 second.
• Fast forwards or reverses the track if pressed and held while listening to a CD.
• Skips to the beginning of the next tracks or goes back to the beginning of the current (or previous tracks) if pressed briefly while listening to a CD.

ENGLISH

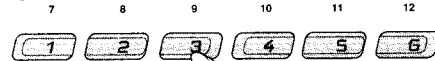
To go to the next tracks or the previous tracks



Press NEXT briefly, while playing a CD, to go ahead to the beginning of the next track.
Each time you press the button consecutively, the beginning of the next tracks is located and played back.

Press PREV briefly, while playing a CD, to go back to the beginning of the current track.
Each time you press the button consecutively, the beginning of the previous tracks is located and played back.

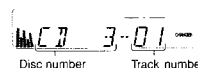
To go to a particular disc directly



Press the number button corresponding to the disc number to start its playback (while the CD changer is playing).

- To select a disc number from 1 - 6:
Press 1 (7) - 6 (12) briefly.
- To select a disc number from 7 - 12:
Press and hold 1 (7) - 6 (12) for more than 1 second.

Ex. When disc number 3 is selected



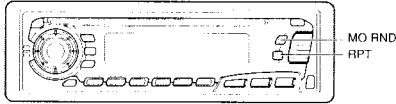
Disc number Track number

ENGLISH

35

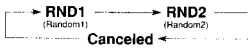


Selecting CD playback modes



To play back tracks at random (Random Play)

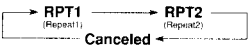
Each time you press MO RND (Monaural/Random) while playing a CD, CD random play mode changes as follows:



Mode	RND Indicator	Plays at random
RND1	Lights	All tracks of the current disc, then the tracks of the next disc, and so on.
RND2	Flashes	All tracks of all discs inserted in the magazine.

To play back tracks repeatedly (Repeat Play)

Each time you press RPT (Repeat) while playing a CD, CD repeat play mode changes as follows:



Mode	RPT Indicator	Plays repeatedly
RPT1	Lights	The current track (or specified track).
RPT2	Flashes	All tracks of the current disc (or specified disc).

DAB DAB TUNER OPERATIONS

This section is ONLY FOR KD-SX878R, when used with a JVC DAB (Digital Audio Broadcasting) tuner (separately purchased). We recommend that you use DAB tuner KT-DB1500 with your unit.

If you have another DAB tuner, consult your JVC IN-CAR ENTERTAINMENT dealer. Refer also to the Instructions supplied with your DAB tuner.

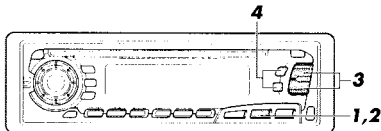
What is DAB system?

DAB is one of the digital radio broadcasting systems available today. It can deliver CD quality sound without any annoying interference and signal distortion. Furthermore, it can carry text, pictures and data.

In contrast to FM broadcast, where each programme is transmitted on its own frequency, DAB combines several programmes (called "services"), to form one "ensemble". With the DAB tuner connected with this unit, you can enjoy these DAB services.

Tuning into an ensemble and one of the services

A typical ensemble has 6 or more programmes (services) broadcast at the same time. After tuning into an ensemble, you can select a service you want to listen to.



Before you start....

Press FM/AM/DAB briefly if you are selecting CD, CD changer or LINE IN as the source.

1

DAB



Select the DAB tuner.

Each time you press and hold the button for more than 1 second, the DAB tuner and the FM/AM tuner are alternately selected.

DAB ↔ FM/AM

2

DAB



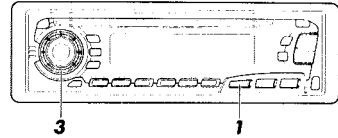
Select the DAB band (DAB1, DAB2, or DAB3). You can select any one of DAB1, DAB2, and DAB3 to tune into an ensemble.

DAB 1 → DAB 2 → DAB 3

EXTERNAL COMPONENT OPERATIONS

This section is ONLY FOR KD-SX878R.

You can connect the external component to the CD changer jack on the rear using the Line Input Adaptor KS-U57 (not supplied).



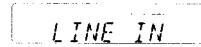
Preparations:

- For connecting the Line Input Adaptor KS-U57 and the external component, refer to the Installation/Connection Manual (separate volume).
- Before operating the external component using the following procedure, select the external input correctly. (See "Selecting the external component to use" on page 30.)

1



Select the external component.



- If "LINE IN" does not appear on the display, see page 30 and select the external input ("LINE IN").
- Displayed only when one of the following sources is selected: FM, AM and CD.

Note on One-Touch Operation:

When you press CD-CH, the power automatically comes on. You do not have to press **⏻** to turn on the power.

2

Turn on the connected component and start playing the source.

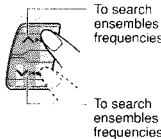
3



Adjust the volume.



3



To search ensembles of higher frequencies

To search ensembles of lower frequencies

Start searching an ensemble.

When an ensemble is received, searching stops.

4



Select a service you want to listen to.

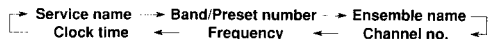
To stop searching before an ensemble is received, press the same button you have pressed for searching.

To change the display information while tuning into an ensemble

Normally service name is shown on the display.

By pressing DISP, you can also change the display while tuning into an ensemble.

Each time you press the button, the following information appears for a while on the display.



To restore the FM/AM tuner

Press and hold FM/AM/DAB for more than 1 second again.

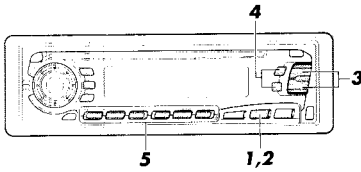
To tune in a particular ensemble without searching:

- Press and hold FM/AM/DAB for more than 1 second.
- Press FM/AM/DAB repeatedly to select the DAB band (DAB1, DAB2, or DAB3).
- Press and hold **▶▶** or **◀◀** for more than 1 second.
- Press **▶▶** or **◀◀** repeatedly until the ensemble you want is reached.
 - If you hold down the button, the frequency keeps changing until you release the button.



Storing DAB services in memory

You can preset up to 6 DAB services in each DAB band (DAB1, DAB2 and DAB3) manually.



1 **DAB**
Select the DAB tuner.
Each time you press and hold the button, the DAB tuner and the FM/AM tuner are alternately selected.
DAB ↔ FM/AM

2 **DAB**
Select the DAB band (DAB1, DAB2, or DAB3) you want.
Each time you press the button, the DAB band changes as follows:
→ DAB 1 → DAB 2 → DAB 3 →

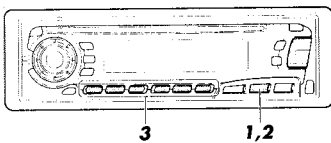
3
Tune into an ensemble you want.

40



Tuning into a preset DAB service

You can easily tune into a preset DAB service. Remember that you must store services first. If you have not stored them yet, see pages 40 and 41.



1 **DAB**
Select the DAB tuner.
Each time you press and hold the button, the DAB tuner and the FM/AM tuner are alternately selected.
DAB ↔ FM/AM

2 **DAB**
Select the DAB band (DAB1, DAB2, or DAB3) you want.
Each time you press the button, the DAB band changes as follows:
→ DAB 1 → DAB 2 → DAB 3 →

3
Select the number (1 – 6) for the preset DAB service you want.

42



4 Select a service of the ensemble you want.



5 Press and hold the number button (in this example, 1) for more than 2 seconds.



Band/preset number and service name flash alternately for a while.
DAB1 P1
SERVICE

6 Repeat the above procedure to store other DAB services into other preset numbers.

Notes:

- A previously preset DAB service is erased when a new DAB service is stored in the same preset number.
- Preset DAB services are erased when the power supply to the memory circuit is interrupted (for example, during battery replacement). If this occurs, preset the DAB services again.

41

MAINTENANCE ?!

Handling CDs

This unit has been designed only to reproduce the CDs bearing the mark. Other discs cannot be played back.

How to handle CDs

When removing a CD from its case, press down the center holder of the case and lift the CD out, holding it by the edges.

- Always hold the CD by the edges. Do not touch its recording surface.

When storing a CD into its case, gently insert the CD around the center holder (with the printed surface facing up).

- Make sure to store CDs into the cases after use.

To keep CDs clean

A dirty CD may not play correctly. If a CD does become dirty, wipe it with a soft cloth in a straight line from center to edge.

To play new CDs

New CDs may have some rough spots around the inner and outer edges. If such a CD is used, this unit may reject the CD.

To remove these rough spots, rub the edges with a pencil or ball-point pen, etc.

Moisture condensation

Moisture may condense on the lens inside the CD player in the following cases:

- After starting the heater in the car.
 - If it becomes very humid inside the car.
- Should this occur, the CD player may malfunction. In this case, eject the CD and leave the unit turned on for a few hours until the moisture evaporates.

CAUTIONS:

- Do not insert 8 cm CDs (single CDs) into the loading slot. (Such CDs cannot be ejected.)
- Do not insert any CD of unusual shape — like a heart or flower; otherwise, it will cause a malfunction.
- Do not expose CDs to direct sunlight or any heat source or place them in a place subject to high temperature and humidity. Do not leave them in a car.
- Do not use any solvent (for example, conventional record cleaner, spray, thinner, benzine, etc.) to clean CDs.

When playing a CD-R (Recordable)

You can play back your original CD-Rs on this receiver.

- Before playing back CD-Rs, read their instructions or cautions carefully.
- Some CD-Rs recorded on CD recorders may not be played back on this receiver because of their disc characteristics, and of the following reasons:
 - Discs are dirty or scratched.
 - Moisture condensation occurs on the lens inside the unit.
 - The pickup lens inside the CD player is dirty.
- Use only "finalized" CD-Rs.
- CD-RWs (Rewritable) cannot be played back on this receiver.
- Do not use CD-Rs with stickers or sticking labels on the surface. They may cause malfunctions.

About mistracking:

Mistracking may result from driving on extremely rough roads. This does not damage the unit and the CD, but will be annoying. We recommend that you stop CD play while driving on such rough roads.

ENGLISH

43

ENGLISH ? TROUBLESHOOTING

What appears to be trouble is not always serious. Check the following points before calling a service center.

Symptoms	Causes	Remedies
• CD cannot be played back.	CD is inserted upside down.	Insert the CD correctly.
• CD sound is sometimes interrupted.	You are driving on rough roads.	Stop playing CD while driving on rough roads.
	The disc is scratched.	Change the disc.
	Connections are incorrect.	Check the cords and connections.
• Sound is sometimes interrupted.	Connections are incorrect.	Check the cords and connections.
• Sound cannot be heard from the speakers.	The volume is turned to the minimum level.	Adjust it to the optimum level.
	Connections are incorrect.	Check the cords and connections.
• SSM (Strong-station Sequential Memory) automatic preset does not work.	Signals are too weak.	Store stations manually.
• Static noise while listening to the radio.	The antenna is not connected firmly.	Connect the antenna firmly.
• "NO DISC" appears on the display.	No CD is in the magazine.	Insert CDs into the magazine.
	CDs are inserted incorrectly.	Insert them correctly.
• "RESET 8" appears on the display.	This unit is not connected to a CD changer correctly.	Connect this unit and the CD changer correctly and press the reset button of the CD changer.
• "RESET 1-RESET 7" appears on the display.		Press the reset button of the CD changer.
• CD can be neither played back nor ejected.	The unit may function incorrectly.	Press Φ /ATT and \blacktriangle at the same time for several seconds. Be careful not to drop CD when it is ejected.
• This unit does not work at all. • The CD changer does not work at all.	The built-in microcomputer may function incorrectly due to noise, etc.	Press and hold both SEL and Φ /ATT at the same time for several seconds to reset the unit. (The clock setting and preset stations stored in memory are erased.) (See page 2.)

44

ENGLISH SPECIFICATIONS

AUDIO AMPLIFIER SECTION

Maximum Power Output:
Front: 40 W per channel
Rear: 40 W per channel
Continuous Power Output (RMS):
Front: 16 W per channel into 4 Ω , 40 Hz to 20,000 Hz at no more than 0.8% total harmonic distortion.
Rear: 16 W per channel into 4 Ω , 40 Hz to 20,000 Hz at no more than 0.8% total harmonic distortion.
Load Impedance: 4 Ω (4 Ω to 8 Ω allowance)
Tone Control Range
Bass: ± 10 dB at 100 Hz
Treble: ± 10 dB at 10 kHz
Frequency Response: 40 Hz to 20,000 Hz
Signal-to-Noise Ratio: 70 dB
Line-Out Level/Impedance: 2.0 V/20 k Ω load (full scale)
Output impedance: 1 k Ω

TUNER SECTION

Frequency Range
FM: 87.5 MHz to 108.0 MHz
AM: (MW) 522 kHz to 1,620 kHz
(LW) 144 kHz to 279 kHz

[FM Tuner]

Usable Sensitivity: 11.3 dBf (1.0 μ V/75 Ω)
50 dB Quietening Sensitivity:
16.3 dBf (1.8 μ V/75 Ω)
Alternate Channel Selectivity (400 kHz):
65 dB
Frequency Response: 40 Hz to 15,000 Hz
Stereo Separation: 30 dB
Capture Ratio: 1.5 dB

[MW Tuner]

Sensitivity: 20 μ V
Selectivity: 35 dB

[LW Tuner]

Sensitivity: 50 μ V

CD PLAYER SECTION

Type: Compact disc player
Signal Detection System: Non-contact optical pickup (semiconductor laser)
Number of channels: 2 channels (stereo)
Frequency Response: 5 Hz to 20,000 Hz
Dynamic Range: 96 dB
Signal-to-Noise Ratio: 98 dB
Wow and Flutter: Less than measurable limit

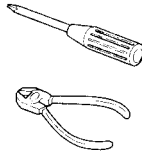
GENERAL

Power Requirement
Operating Voltage: DC 14.4 V (11 V to 16 V allowance)
Allowable Operational Temperature:
0°C to +40°C
Grounding System: Negative ground
Dimensions (W x H x D)
Installation Size:
182 mm x 52 mm x 150 mm
Panel Size: 188 mm x 58 mm x 14 mm
Mass: 1.3 kg (excluding accessories)

Design and specifications subject to change without notice.

45

JVC KD-SX878R
KD-S777R
Installation/Connection Manual
Einbau/Anschlußanleitung
Manuel d'installation/raccordement
FSUN3117-T211
[E]



1299MNMMDWJES
EN, GE, FR

ENGLISH

- This unit is designed to operate on 12 volts DC, NEGATIVE ground electrical systems.

**INSTALLATION
(IN-DASH MOUNTING)**

- The following illustration shows a typical installation. However, you should make adjustments corresponding to your specific car. If you have any questions or require information regarding installation kits, consult your JVC IN-CAR ENTERTAINMENT dealer or a company supplying kits.

- 1 Before mounting:** Press **LA** (Control Panel Release button) to detach the control panel.
- 2** Remove the trim plate.
- 3** Remove the sleeve after disengaging the sleeve locks.
 - 1 Stand the unit.
 - Note:** When you stand the unit, be careful not to damage the fuse on the rear.
 - 2 Insert the 2 handles between the unit and the sleeve, as illustrated, to disengage the sleeve locks.
 - 3 Remove the sleeve.
 - Note:** Be sure to keep the handles for future use after installing the unit.
- 4** Install the sleeve into the dashboard.
 - After the sleeve is correctly installed into the dashboard, bend the appropriate tabs to hold the sleeve firmly in place, as illustrated.
- 5** Fix the mounting bolt to the rear of the unit's body and place the rubber cushion over the end of the bolt.
- 6** Do the required electrical connections.
- 7** Slide the unit into the sleeve until it is locked.
- 8** Attach the trim plate so that the projection on the trim plate is fixed to the left side of the unit.
- 9** Attach the control panel.

DEUTSCH

- Dieses Gerät ist für einen Betrieb in elektrischen Anlagen mit 12 V Gleichstrom und (-) Erdung ausgelegt.

**EINBAU
(IM ARMATURENBRETT)**

- Die folgende Abbildung zeigt einen typischen Einbau. Dennoch müssen Sie entsprechend Ihrem jeweiligen Auto Anpassungen vornehmen. Bei irgendwelchen Fragen oder wenn Sie Informationen hinsichtlich des Einbausatzes brauchen, wenden Sie sich an Ihren JVC Autoradiohändler oder ein Unternehmen das diese Einbausätze vertreibt.

- 1 Vor dem Einbau:** **LA** (Schalttafel-Freigabelaste) zum Lösen der Schalttafel drücken.
- 2** Den Frontrahmen herausnehmen.
- 3** Die Halterung nach dem Entriegeln der Halterungssperren abnehmen.
 - 1) Das Gerät aufstellen.
 - Hinweis:** Beim Aufstellen des Geräts darauf achten, daß die Sicherung auf der Rückseite nicht beschädigt wird.
 - 2) Die beiden Griffe zwischen dem Gerät und der Halterung wie abgebildet einstecken und die Halterungssperren entriegeln.
 - 3) Die Halterung entfernen.
 - Hinweis:** Sicherstellen, daß die Griffe für künftigen Gebrauch nach dem Einbau des Geräts aufbewahrt werden.
- 4** Die Halterung im Armaturenbrett einbauen.
 - Nach dem korrekten Einbau der Halterung im Armaturenbrett, die entsprechenden Fliegel umknicken, um die Halterung an ihrem Platz zu sichern, siehe Abbildung.
- 5** Die Befestigungsschraube an der Rückseite des Gerätekörpers befestigen und das Ende der Schraube mit einem Gummipuffer abdecken.
- 6** Nehmen Sie die erforderlichen elektrischen Anschlüsse vor.
- 7** Das Gerät in die Halterung schieben, bis es einrastet.
- 8** Befestigen Sie die Frontrahmen in der Form, daß der Fortsatz der Frontrahmen auf der linken Seite des Geräts befestigt wird.
- 9** Die Schalttafel anbringen.

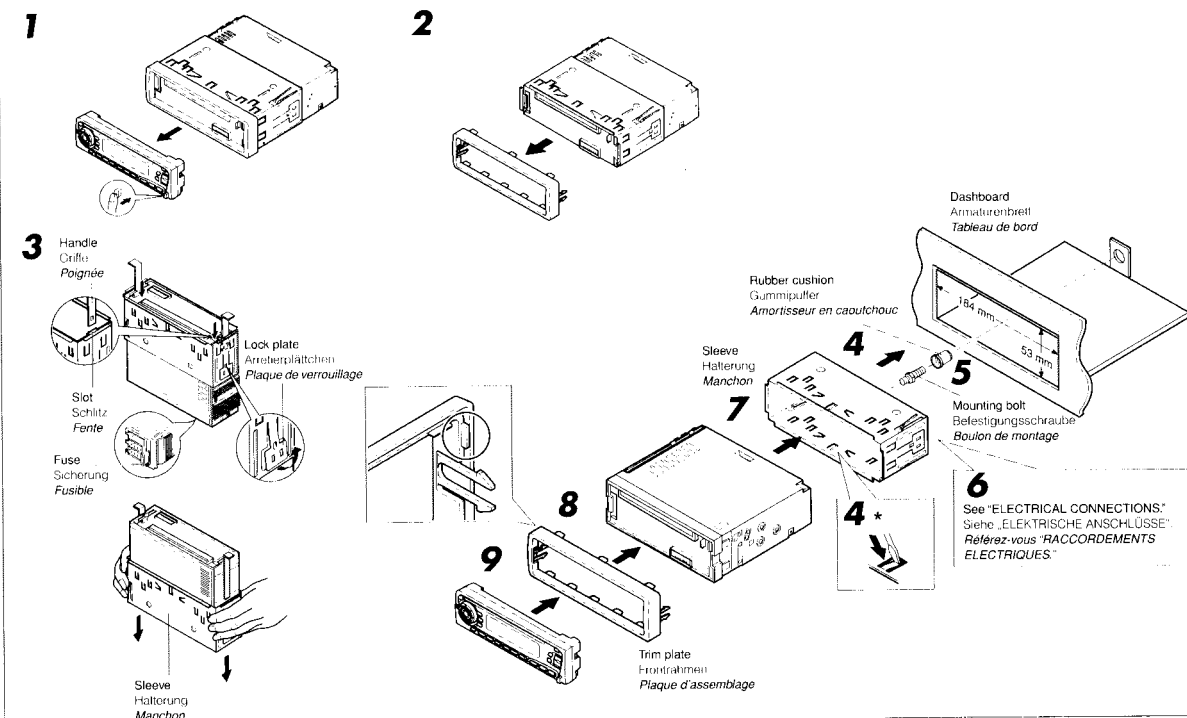
FRANÇAIS

- Cet appareil est conçu pour fonctionner sur des sources de courant continu de 12 volts à masse NEGATIVE.

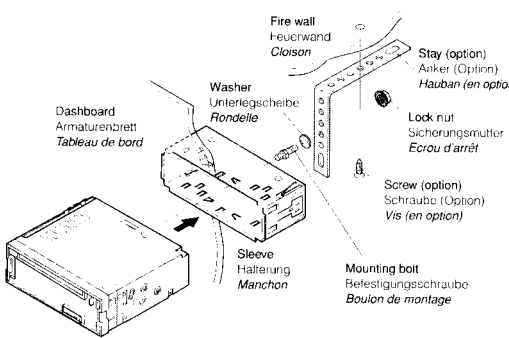
**INSTALLATION
(MONTAGE DANS LE TABLEAU DE BORD)**

- L'illustration suivante est un exemple d'installation typique. Cependant, vous devez faire les ajustements correspondant à votre voiture particulière. Si vous avez des questions ou avez besoin d'information sur des kits d'installation, consulter votre revendeur d'autoradios JVC ou une compagnie d'approvisionnement.

- 1 Avant le montage:** Appuyer sur **LA** (touche de libération du panneau de commande) pour détacher le panneau de commande.
- 2** Retirer la plaque d'assemblage.
- 3** Libérer les verrous du manchon et retirer le manchon.
 - 1) Poser l'appareil à la verticale.
 - Remarque:** Lorsque vous mettez l'appareil à la verticale, faire attention de ne pas endommager le fusible situé sur le fond.
 - 2) Insérer les 2 poignées entre l'appareil et le manchon comme indiqué pour désengager les verrous de manchon.
 - 3) Retirer le manchon.
 - Remarque:** S'assurer de garder les poignées pour une utilisation ultérieure, après l'installation de l'appareil.
- 4** Installer le manchon dans le tableau de bord.
 - Après installation correcte du manchon dans le tableau de bord, plier les bonnes pattes pour maintenir fermement le manchon en place, comme montré.
- 5** Monter le boulon de montage sur l'arrière du corps de l'appareil puis passer l'amortisseur en caoutchouc sur l'extrémité du boulon.
- 6** Réaliser les connexions électriques.
- 7** Faire glisser l'appareil dans le manchon jusqu'à ce qu'il soit verrouillé.
- 8** Attachez la plaque d'assemblage de façon que la projection de la plaque soit fixée sur le côté gauche de l'appareil.
- 9** Remonter le panneau de commande.

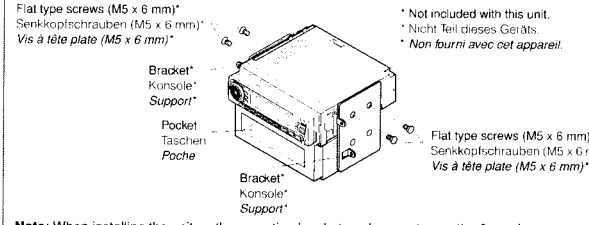


• **When using the optional stay**
• **Beim Verwenden der Anker-Option**
• **Lors de l'utilisation du hauban en option**



• **When installing the unit without using the sleeve**
• **Beim Einbau des Geräts ohne Halterung**
• **Lors de l'installation de l'appareil sans utiliser de manchon**

In a Toyota for example, first remove the car radio and install the unit in its place.
Zum Beispiel in einem Toyota zuerst das Autoradio ausbauen und dann das Gerät an seinem Platz einbauen.
Par exemple dans une Toyota, retirer d'abord l'autoradio et installer l'appareil à la place.



Note: When installing the unit on the mounting bracket, make sure to use the 6 mm-long screws. If longer screws are used, they could damage the unit.
Hinweis: Beim Anbringen des Gerät an der Konsole sicherstellen, daß 6 mm lange Schrauben verwendet werden. Werden längere Schrauben verwendet, können sie das Gerät beschädigen.
Remarque: Lors de l'installation de l'appareil sur le support de montage, s'assurer d'utiliser des vis d'une longueur de 6 mm. Si des vis plus longues sont utilisées, elles peuvent endommager l'appareil.

Removing the unit

- Before removing the unit, release the rear section.

- 1 Remove the control panel.
- 2 Remove the trim plate.
- 3 Insert the 2 handles into the slots, as shown. Then, while gently pulling the handles away from each other, slide out the unit. (Be sure to keep the handles after installing it.)

Ausbau des Geräts

- Vor dem Ausbau des Geräts den hinteren Teil freigegeben.

- 1 Die Schalttafel abnehmen.
- 2 Den Frontrahmen abnehmen.
- 3 Die 2 Griffe in die Schlitz wie gezeigt stecken. Dann die Griffe behutsam auseinander ziehen und das Gerät herausziehen. (Die Griffe nach dem Einbau auf jeden Fall aufbewahren.)

Retrait de l'appareil

- Avant de retirer l'appareil, libérer la section arrière.

- 1 Retirer le panneau de commande.
- 2 Retirer la plaque d'assemblage.
- 3 Introduire les deux poignées dans les fentes, comme montré. Puis, tout en tirant doucement les poignées écartées, faire glisser l'appareil pour le sortir. (S'assurer de conserver les poignées après l'installation de l'appareil.)



Parts list for installation and connection

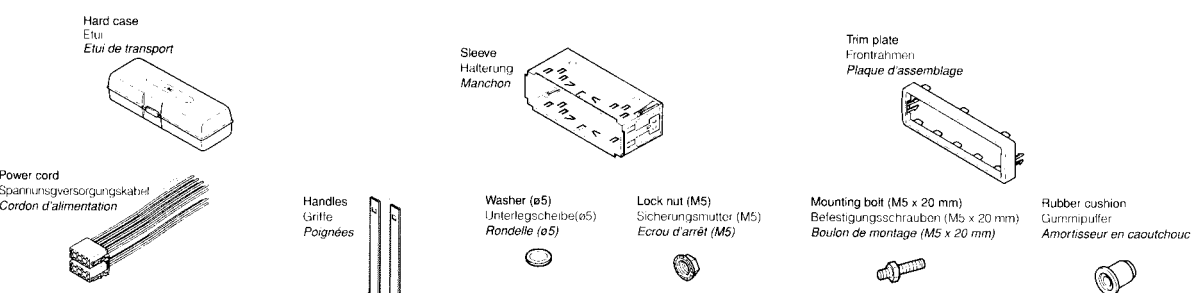
The following parts are provided with this unit. After checking them, please set them correctly.

Teilleiste für den Einbau und Anschluß

Die folgenden Teile werden zusammen mit diesem Gerät geliefert. Nach ihrer Überprüfung, die Teile richtig einsetzen.

Liste des pièces pour l'installation et raccordement

Les pièces suivantes sont fournies avec cet appareil. Après vérification, veuillez les placer correctement.



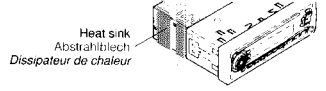
ENGLISH

ELECTRICAL CONNECTIONS

To prevent short circuits, we recommend that you disconnect the battery's negative terminal and make all electrical connections before installing the unit. If you are not sure how to install this unit correctly, have it installed by a qualified technician.

Note:
This unit is designed to operate on **12 volts DC, NEGATIVE ground electrical systems**. If your vehicle does not have this system, a voltage inverter is required, which can be purchased at JVC IN-CAR ENTERTAINMENT dealers.

- Replace the fuse with one of the specified rating. If the fuse blows frequently, consult your JVC IN-CAR ENTERTAINMENT dealer.
- If noise is a problem...
This unit incorporates a noise filter in the power circuit. However, with some vehicles, clicking or other unwanted noise may occur. If this happens, connect the unit's rear ground terminal (see connection diagram) to the car's chassis using shorter and thicker cords, such as copper braiding or gauge wire. If noise still persists, consult your JVC IN-CAR ENTERTAINMENT dealer.
- Maximum input of the speakers should be more than 40 watts at the rear and 40 watts at the front, with an impedance of 4 to 8 ohms.
- Be sure to ground this unit to the car's chassis.
- The heat sink becomes very hot after use. Be careful not to touch it when removing this unit.



DEUTSCH

ELEKTRISCHE ANSCHLÜSSE

Zur Vermeidung von Kurzschlüssen empfehlen wir, daß Sie den negativen Batterieanschluß abtrennen und alle elektrischen Anschlüsse herstellen, bevor das Gerät eingebaut wird. Sind Sie sich über den richtigen Einbau des Geräts nicht sicher, lassen Sie es von einem qualifizierten Techniker einbauen.

Hinweis:
Dieses Gerät ist für den Betrieb in **elektrischen Anlagen mit 12 V Gleichstrom und (-) Erdung** ausgelegt. Verfügt Ihr Fahrzeug nicht über diese Anlage, ist ein Spannungsinverter erforderlich, der bei JVC Autoradiohändler erworben werden kann.

- Die Sicherung mit einer der entsprechenden Nennleistung ersetzen. Brennt die Sicherung häufig durch, wenden Sie sich an Ihren JVC Autoradiohändler.
- Sind Störgeräusche ein Problem...
Dieses Gerät enthält ein Störfilter im Stromkreis. Bei manchen Fahrzeugen kann jedoch ein Klicken oder andere unerwünschte Störgeräusche auftreten. Sollte das der Fall sein, die **hintere Erdungsanschlussklemme** (siehe Schaltplan) des Geräts am Fahrwerk des Fahrzeugs anschließen, dabei kürzere und dickere Kabel wie beispielsweise Kupfergeflechtstrait oder Stahldraht verwenden. Bleibt Störgeräusch bestehen, wenden Sie sich an Ihren JVC Autoradiohändler.
- Maximale Eingangsleistung der Lautsprecher muß höher als 40 W hinten und 40 W vorne sein, mit einer Impedanz von **4 bis 8 Ohm**.
- **Sicherstellen, daß das Gerät am Fahrwerk geerdet wird.**
- Das Abstrahlblech wird nach dem Gebrauch sehr heiß. Beim Ausbau des Geräts darauf achten, das Abstrahlblech nicht zu berühren.

FRANÇAIS

RACCORDEMENTS ELECTRIQUES

Pour éviter tout court-circuit, nous vous recommandons de débrancher la borne négative de la batterie et d'effectuer tous les raccordements électriques avant d'installer l'appareil. Si l'on n'est pas sûr de pouvoir installer correctement cet appareil, le faire installer par un technicien qualifié.

Remarque:
Cet appareil est conçu pour fonctionner sur des sources de courant continu de **12 volts à masse NEGATIVE**. Si votre véhicule n'offre pas ce type d'alimentation, il vous faut un convertisseur de tension, que vous pouvez acheter chez un revendeur d'autoradios JVC.

- Remplacer le fusible par un de la valeur précisée. Si le fusible saute souvent, consulter votre revendeur d'autoradios JVC.
- Si le bruit est un problème...
Cet appareil incorpore un filtre de bruit dans le circuit d'alimentation. Cependant, avec certains véhicules, quelques claquements ou autres bruits non désirés risquent de se produire. Si cela arrive, raccorder la **borne de masse arrière** de l'appareil au châssis de la voiture (voir le schéma de raccordement) en utilisant des cordons les plus gros et les plus courts possibles telle qu'une barre de cuivre ou une tresse. Si le bruit persiste, consulter votre revendeur d'autoradios JVC.
- La puissance admissible des haut-parleurs doit être supérieure à 40 watts à l'arrière et à 40 watts l'avant, avec une impédance de 4 à 8 ohms.
- S'assurer de raccorder la mise à la masse de cet appareil au châssis de la voiture.
- Le radiateur devient très chaud après usage. Faire attention de ne pas le toucher en retirant cet appareil.

A Typical Connections / Typische Anschlüsse / Raccordements typiques

Before connecting: Check the wiring in the vehicle carefully. Incorrect connection may cause serious damage to this unit.

1 Connect the colored leads of the power cord to the car battery, speakers and power aerial (if any) in the following sequence.

- (1) Black: ground
- (2) Yellow: to car battery (constant 12V)
- (3) Red: to an accessory terminal
- (4) Others: to speakers
- (5) Blue with white stripe: to power aerial (200mA max.)
- (6) Brown: to cellular phone system (For details, refer to the instructions of the cellular phone.)

2 Connect the aerial cord.

3 Finally connect the wiring harness to the unit.

Note: If your vehicle does not have any accessory terminal, move the fuse from the fuse position 1 (initial position) to fuse position 2, and connect the red lead (A7) to the positive (+) battery terminal.

The yellow lead (A4) is not used in this case.

Vor dem Anschließen: Die Verdrahtung im Fahrzeug sorgfältig überprüfen. Falsche Anschlüsse können ernsthafte Schäden am Gerät hervorrufen.

1 Die farbigen Leitungen des Spannungsversorgungskabels an der Autobatterie, den Lautsprechern und dem Motorantenne (sofern vorhanden) in folgender Reihenfolge anschließen.

- (1) Schwarz: Erdung
- (2) Gelb: an Autobatterie (konstant 12 V)
- (3) Rot: an Zubehöranschlussterminal
- (4) Andere: an Lautsprecher
- (5) Blau mit weißem Streifen: an Motorantenne (max. 200 mA)
- (6) Braun: an Mobiltelefon (Weitere Informationen entnehmen Sie bitte der Bedienungsanleitung des Mobiltelefons.)

2 Das Antennenkabel anschließen.

3 Die Kabelbäume am Gerät anschließen.

Hinweis: Verfügt Ihr Fahrzeug nicht über eine Zubehöranschlussterminal, die Sicherung von der 1. Sicherungsposition (Erstposition) in die 2. Sicherungsposition versetzen, die rote Leitung (A7) an der (+) Batterieanschlussterminal anschließen.

Die gelbe Leitung (A4) wird in diesem Fall nicht verwendet.

Avant de commencer la connexion: vérifiez attentivement le câblage du véhicule. Une connexion incorrecte peut endommager sérieusement l'appareil.

1 Connectez les fils de couleur du cordon d'alimentation à la batterie de la voiture, aux enceintes et à l'antenne automatique (s'il y en a une) dans l'ordre suivant.

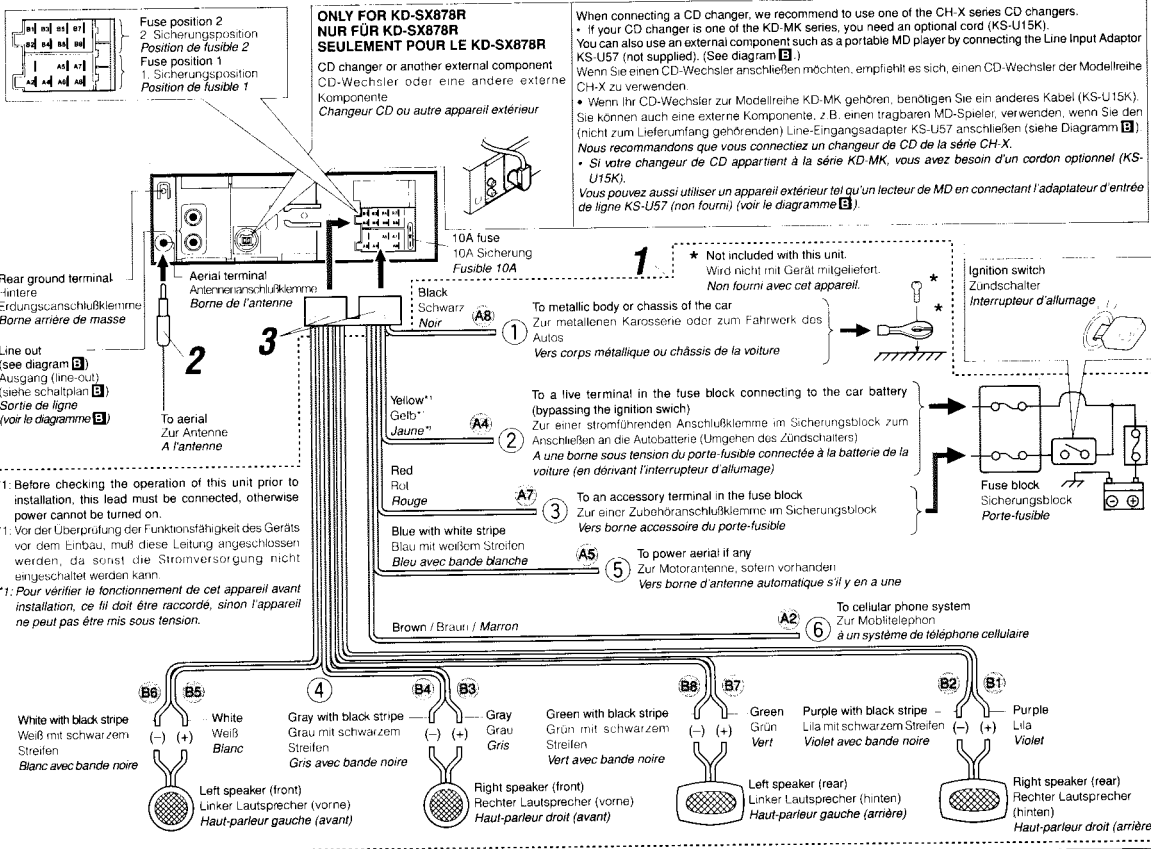
- (1) Noir: à la masse
- (2) Jaune: à la batterie de la voiture (12V constant)
- (3) Rouge: à la prise accessoire
- (4) Autres: aux enceintes
- (5) Bleu à bandes blanches: à l'antenne automatique (200 mA max.)
- (6) Marron: à un système de téléphone cellulaire (Pour les détails, se référer aux instructions du téléphone cellulaire.)

2 Connectez le cordon d'antenne.

3 Finalement, connectez le faisceau de fils à l'appareil.

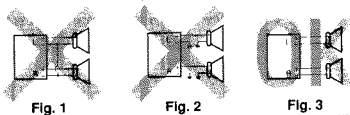
Remarque: Si votre véhicule ne possède pas de borne accessoire, déplacez le fusible de la position de fusible 1 (position originale) à la position de fusible 2 et connectez le fil rouge (A7) à la borne positive (+) de la batterie.

Le fil jaune (A4) n'est pas utilisé dans ce cas.



PRECAUTIONS on power supply and speaker connections:

- DO NOT connect the speaker leads of the power cord to the car battery; otherwise, the unit will be seriously damaged.
- Connect the black lead (ground), yellow lead (to car battery, constant 12V), and red lead (to an accessory terminal) correctly.
- BEFORE connecting the speaker leads of the power cord to the speakers, check the speaker wiring in your car.
- If the speaker wiring in your car is as illustrated in Fig. 1 and Fig. 2 below, DO NOT connect the unit using that original speaker wiring. If you do, the unit will be seriously damaged. Rewire the speaker wiring so that you can connect the unit to the speakers as illustrated in Fig. 3.
- If the speaker wiring in your car is as illustrated in Fig. 3, you can connect the unit using the original speaker wiring in your car.
- If you are not sure of the speaker wiring of your car, consult your car dealer.



VORSICHTSMASSREGELN beim Anschließen der Stromversorgung und Lautsprecher:

- Die Lautsprecherleitungen des Netzkabels NICHT an der Autobatterie anschließen, da sonst das Gerät schwer beschädigt wird.
- Die schwarze Leitung (Erdung), die gelbe Leitung (zur Autobatterie, konstant 12 V) und die rote Leitung (zur Zubehöranschlussterminal) richtig anschließen.
- VOR dem Anschließen der Lautsprecherleitungen des Spannungsversorgungskabels an die Lautsprecher, die Lautsprecherverdrahtung in Ihrem Auto überprüfen.
- Ist die Lautsprecherverdrahtung wie unten in "Fig. 1" und "Fig. 2" abgebildet, das Gerät NICHT mit der Originalverdrahtung der Lautsprecher anschließen, da sonst das Gerät schwer beschädigt wird. Die Lautsprecherverdrahtung erneuern, so daß Sie das Gerät an den Lautsprechern wie in "Fig. 3" abgebildet anschließen können.
- Ist die Lautsprecherverdrahtung in Ihrem Auto wie in "Fig. 3" abgebildet, können Sie das Gerät mit der Originalverdrahtung der Lautsprecher in Ihrem Auto anschließen.
- Sind Sie sich über die Lautsprecherverdrahtung in Ihrem Auto nicht sicher, wenden Sie sich an Ihren Autohändler.

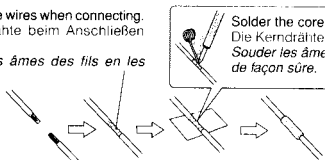
PRECAUTIONS sur l'alimentation et la connexion des enceintes:

- NE CONNECTEZ PAS les fils d'enceintes du cordon d'alimentation à la batterie; sinon, l'appareil serait sérieusement endommagé.
- Connectez correctement le fil noir (à la masse), le fil jaune (à la batterie de la voiture, 12V constant) et le fil rouge (à la prise accessoire).
- AVANT de connecter les fils d'enceintes du cordon d'alimentation aux enceintes, vérifiez le câblage des enceintes de votre voiture.
- Si le câblage des enceintes de votre voiture est réalisé comme montré sur la Fig. 1 ou Fig. 2 ci-dessous, NE CONNECTEZ PAS l'appareil en utilisant ce câblage original d'enceintes. Si vous le faites, l'appareil sera sérieusement endommagé. Recommencez le câblage des enceintes de façon que vous puissiez connecter l'appareil aux enceintes comme montré sur la Fig. 3.
- Si le câblage des enceintes de votre voiture est comme montré sur la Fig. 3, vous pouvez connecter l'appareil en utilisant ce câblage original d'enceintes pour votre voiture.
- Si vous n'êtes pas sûrs du câblage d'enceintes de votre voiture, consultez le concessionnaire de votre voiture.

Connecting the leads / Anschließen der Leitungen / Raccordement des fils

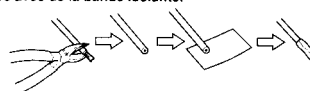
Twist the core wires when connecting.
Die Kerndrähte beim Anschließen verdrehen.
Torsader les âmes des fils en les raccordant.

Solder the core wires to connect them securely.
Die Kerndrähte anlöten, um sie fest anzuschließen.
Souder les âmes des fils pour les raccorder entre eux de façon sûre.



CAUTION / VORSICHT / PRECAUTION:

- To prevent short-circuit, cover the terminals of the UNUSED leads with insulating tape.
- Zur Vermeidung eines Kurzschlusses die Anschlußklemmen der NICHT VERWENDETEN Leitungen mit Isolierklebeband umwickeln.
- Pour éviter les court-circuits, couvrir les bornes des fils qui ne sont PAS utilisés avec de la bande isolante.



B Connections Adding Other Equipment / Anschlüsse zum Hinzufügen von anderer Ausrüstung / Raccordement pour ajouter d'autres appareils

Amplifier / Verstärker / Amplificateur

You can connect an amplifier and other equipment to upgrade your car stereo system.

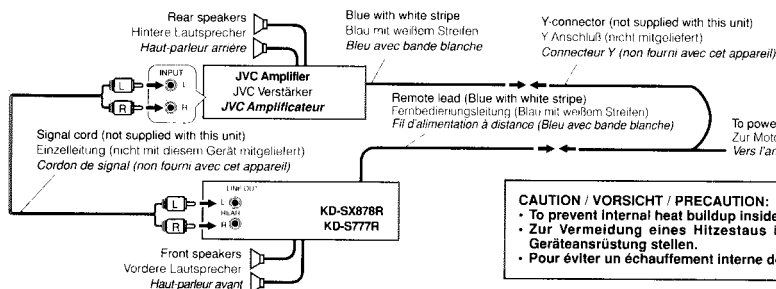
- Connect the remote lead (blue with white stripe) to the remote lead of the other equipment so that it can be controlled through this unit.
- For amplifier only:
 - Connect this unit's line-out terminals to the amplifier's line-in terminals.
 - Disconnect the speakers from this unit, connect them to the amplifier. Leave the speaker leads of this unit unused. (Cover the terminals of these unused leads with insulating tape, as illustrated above.)

Sie können einen Verstärker oder ein anderes Gerät anschließen, um ihre Autostereoanlage zu erweitern.

- Schließen Sie das Fernbedienungskabel (blau mit weißem Streifen) an das Fernbedienungskabel des anderen Geräts an, so daß es über dieses Gerät gesteuert werden kann.
- Nur für den Verstärker:
 - Die Anschlußklemmen am Ausgang dieses Gerät an den Anschlußklemmen des Eingangs des Verstärkers anschließen.
 - Die Lautsprecher von diesem Gerät abtrennen und am Verstärker anschließen. Die Lautsprecherleitungen dieses Geräts unbenutzt lassen. (Die Anschlußklemmen dieser nicht verwendeten Leitungen mit Isolierband umwickeln, siehe Abb. oben.)

Vous pouvez connecter un amplificateur ou autre appareil pour améliorer votre système autoradio.

- Connectez le fil de commande à distance (bleu avec bande blanche) au fil de commande à distance de l'autre appareil de façon qu'il puisse être commandé via cet appareil.
- Pour l'amplificateur seulement:
 - Raccorder les bornes de sortie ligne de cet appareil aux bornes d'entrée ligne de l'amplificateur.
 - Déconnectez les enceintes de cet appareil et connectez-les à l'amplificateur. Laissez les fils d'enceintes de cet appareil inutilisés. (Recouvrez les extrémités de ces fils inutilisés avec de la bande isolante comme montré ci-dessus.)



- CAUTION / VORSICHT / PRECAUTION:**
- To prevent internal heat buildup inside this unit, place this unit UNDER the other equipment.
 - Zur Vermeidung eines Hitzestaus in diesem Gerät, dieses Gerät UNTER die andere Geräteanrüstung stellen.
 - Pour éviter un échauffement interne de cet appareil, placez-le SOUS l'autre appareil.

CD changer and DAB tuner / CD-Wechsler und DAB-Tuner / Changeur CD et tuner DAB

ONLY FOR KD-SX878R

You can connect a JVC CD changer and/or a JVC DAB (Digital Audio Broadcasting) tuner.

- For their connections, refer to the instructions supplied with them.

NUR FÜR KD-SX878R

Sie können einen CD-Wechsler und/oder einen DAB-Tuner (Tuner für digitalen Rundfunk) von JVC anschließen.

- Weitere Informationen über den Anschluß können Sie der Bedienungsanleitung entnehmen, die dem jeweiligen Gerät beiliegt.

SEULEMENT POUR LE KD-SX878R

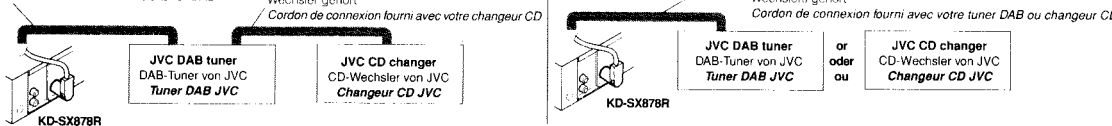
Vous pouvez connecter un changeur CD JVC et/ou un tuner DAB (Digital Audio Broadcast) JVC.

- Pour leurs connexions, référez-vous aux modes d'emploi qui les accompagnent.

Connecting cord supplied with your DAB tuner
Verbindungskabel, das zum Lieferumfang des DAB-Tuners gehört
Cordon de connexion fourni avec votre tuner DAB

Connecting cord supplied with your CD changer
Verbindungskabel, das zum Lieferumfang des CD-Wechslers gehört
Cordon de connexion fourni avec votre changeur CD

Connecting cord supplied with your DAB tuner or CD changer
Verbindungskabel, das zum Lieferumfang des DAB-Tuners oder CD-Wechslers gehört
Cordon de connexion fourni avec votre tuner DAB ou changeur CD



- You can connect both components in series as illustrated above.
- Es ist möglich, beide Komponenten in einer Serienschaltung entsprechend der obigen Darstellung anzuschließen.
- Vous pouvez connecter les deux appareils en série comme montré ci-dessus.

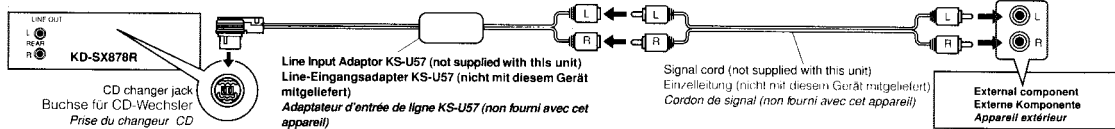
- CAUTION / VORSICHT / PRECAUTION:**
- Before connecting the CD changer and/or the DAB tuner, make sure that the unit is turned off.
 - Bevor Sie den CD-Wechsler und/oder den DAB-Tuner anschließen, vergewissern Sie sich, daß das Gerät ausgeschaltet ist.
 - Avant de connecter le changeur CD et/ou le tuner DAB, s'assurer que l'unité est éteinte.

External component / Externe Komponente / Appareil extérieur

ONLY FOR KD-SX878R

NUR FÜR KD-SX878R

SEULEMENT POUR LE KD-SX878R



TROUBLESHOOTING

- The fuse blows.**
 - Are the red and black leads connected correctly?
- Power cannot be turned on.**
 - Is the yellow lead connected?
- No sound from the speakers.**
 - Is the speaker output lead short-circuited?
- Sound is distorted.**
 - Is the speaker output lead grounded?
 - Are the "-" terminals of L and R speakers grounded in common?
- Unit becomes hot.**
 - Is the speaker output lead grounded?
 - Are the "-" terminals of L and R speakers grounded in common?

FEHLERSUCHE

- Die Sicherung brennt durch.**
 - Sind die roten und schwarzen Leitungen richtig angeschlossen?
- Stromversorgung kann nicht eingeschaltet werden.**
 - Ist die gelbe Leitung angeschlossen?
- Kein Ton aus den Lautsprechern.**
 - Ist die Lautsprecherausgangsleitung kurzgeschlossen?
- Ton verzerrt.**
 - Ist die Lautsprecherausgangsleitung geerdet?
 - Sind die (-) Anschlußklemmen der linken und rechten Lautsprecher zusammen geerdet?
- Gerät wird heiß.**
 - Ist die Lautsprecherausgangsleitung geerdet?
 - Sind die (-) Anschlußklemmen der linken und rechten Lautsprecher zusammen geerdet?

EN CAS DE DIFFICULTÉS

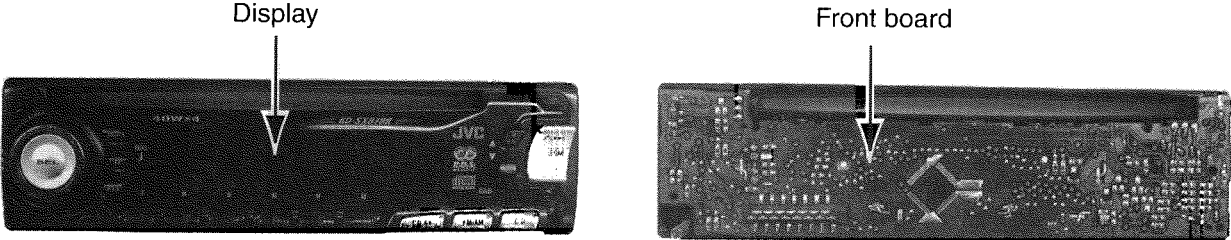
- Le fusible saute.**
 - Les fils rouge et noir sont-ils raccordés correctement?
- L'appareil ne peut pas être mise sous tension.**
 - Le fil jaune est-elle raccordée?
- Pas de son des haut-parleurs.**
 - Le fil de sortie de haut-parleur est-il court-circuité?
- Le son est déformé.**
 - Le fil de sortie de haut-parleur est-il à la masse?
 - Les bornes "-" des haut-parleurs gauche et droit sont-elles mises ensemble à la masse?
- L'appareil devient chaud.**
 - Le fil de sortie de haut-parleur est-il à la masse?
 - Les bornes "-" des haut-parleurs gauche et droit sont-elles mises ensemble à la masse?

KD-SX878R
KD-S777R

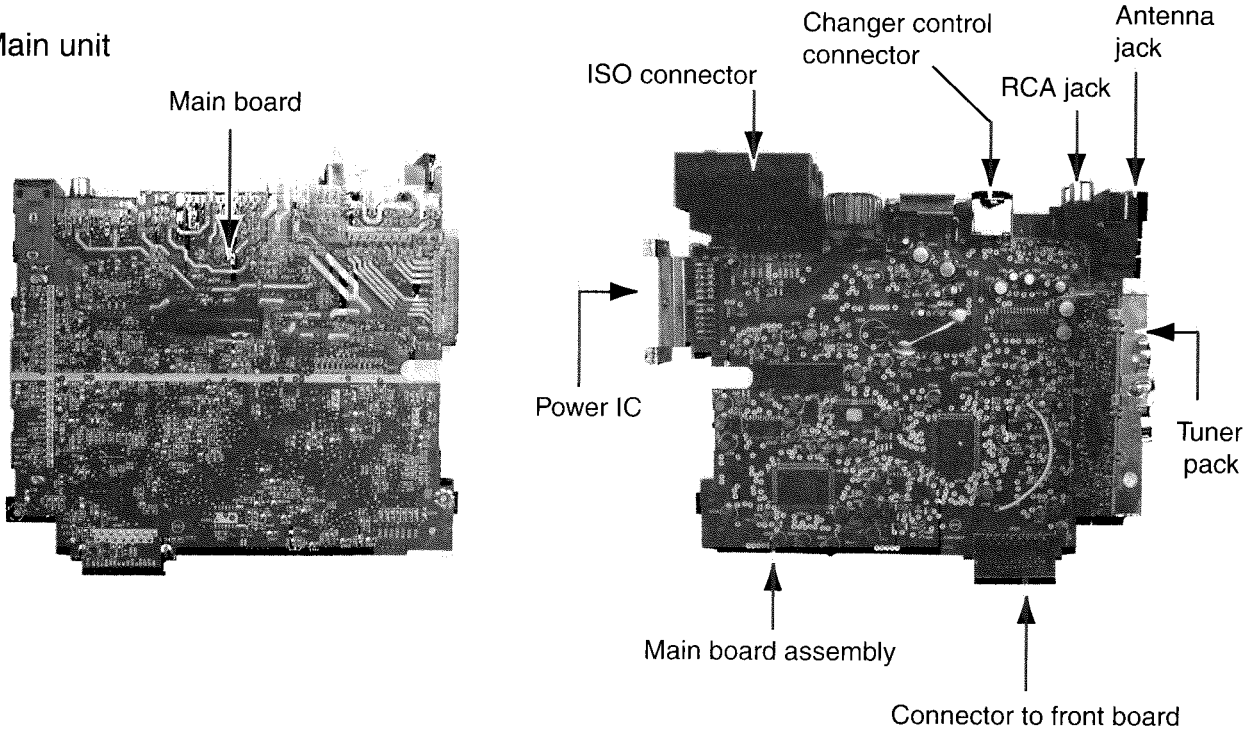
<< M E M O >>

Location of main parts

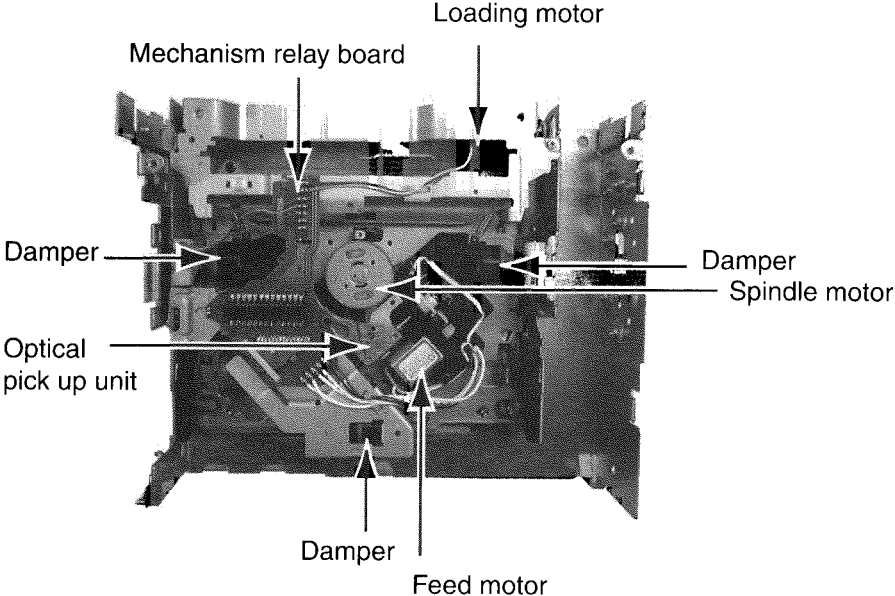
Control unit



Main unit



CD mechanism



Disassembly method

■ Removing the front chassis (See Fig.1)

1. Insert a screwdriver to the joints a on the side of the front chassis and two joints b on the right side, then detach the front chassis toward the front side.

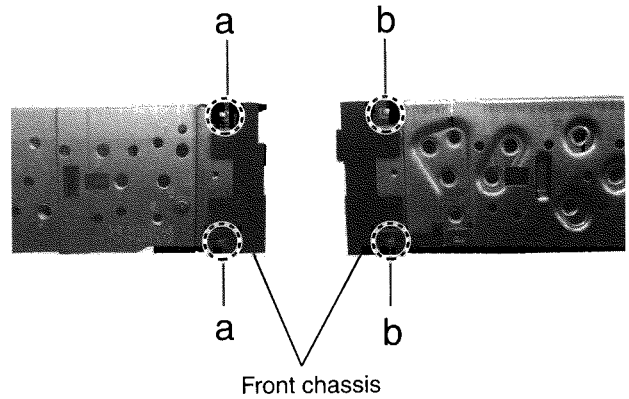


Fig.1

■ Removing the heat sink (See Fig.2)

1. Remove the three screws A attaching the heat sink on the left side of the body, and remove the heat sink.

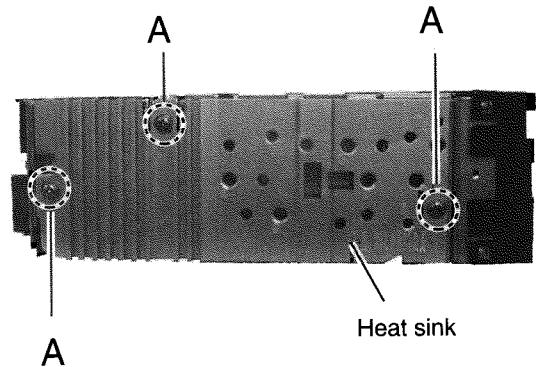


Fig.2

■ Removing the bottom cover (See Fig.3)

1. Turn the body upside down.
2. Insert a screwdriver to the two joints c and two joints d on both sides of the body and the joint e on the back of the body, then detach the bottom cover from the body.

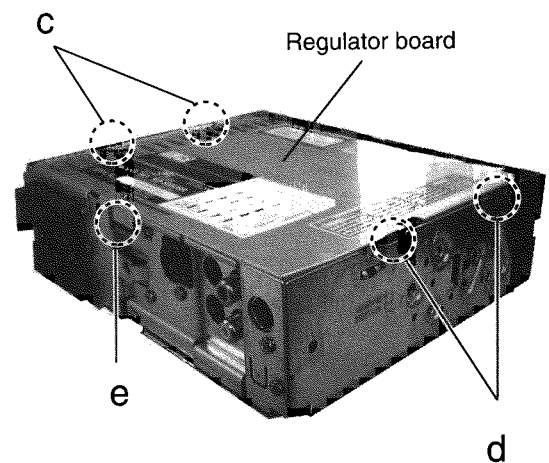


Fig. 3

■ **Removing the main amplifier board assembly**

(See Fig.4 and 5)

1. Remove the front chassis.
2. Remove the bottom cover.
3. Remove the two screws B attaching the main amplifier board assembly on the bottom of the body.
4. Remove the seven screws C attaching the main amplifier board assembly on the back of the body.
5. Disconnect connector CN501 on the main amplifier board assembly from the CD mechanism assembly.

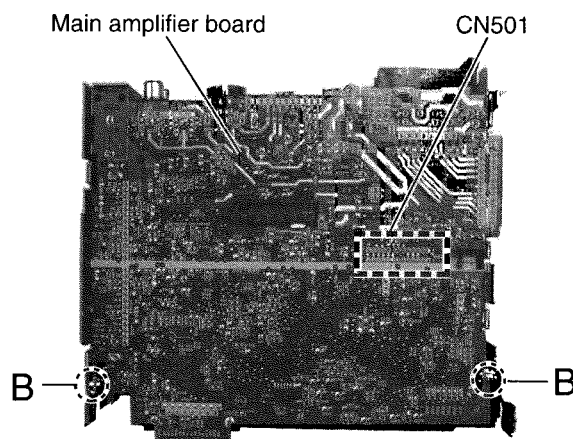


Fig.4

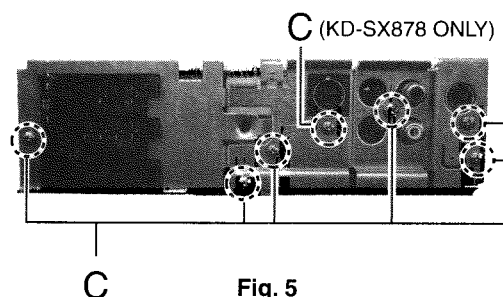


Fig. 5

■ **Removing the CD mechanism assembly**

(See Fig.6)

1. Remove the front chassis.
2. Remove the bottom cover.
3. Remove the main amplifier board assembly.
4. Remove the three screws D attaching the CD mechanism assembly from the top cover.

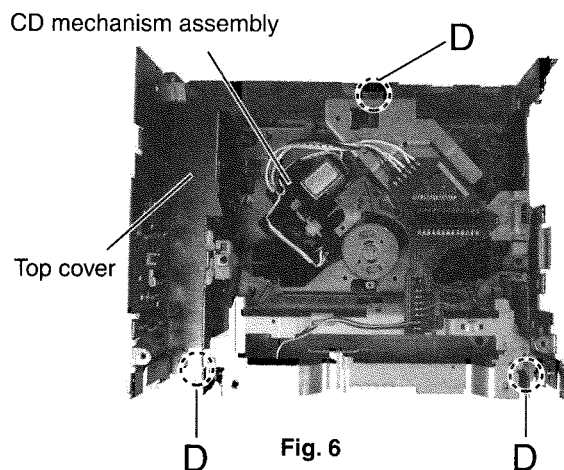


Fig. 6

■ **Removing the control switch board**

(See Fig.7 and 8)

1. Remove the front chassis.
2. Remove the five screws E attaching the rear cover on the back of the front panel unit.
3. Remove the control switch board from the front panel unit.

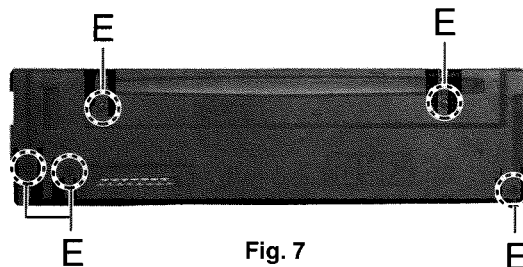


Fig. 7

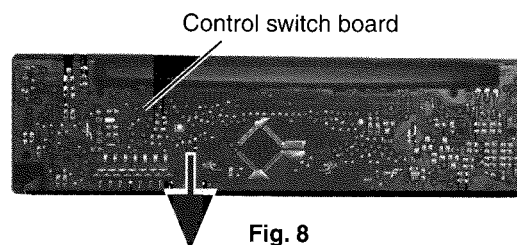


Fig. 8

<CD mechanism section>

- Prior to disassembling the CD mechanism, remove the following parts.
- The front panel unit and the front chassis
- The heat sink
- The bottom cover
- The main amplifier board
- The CD mechanism ass'y

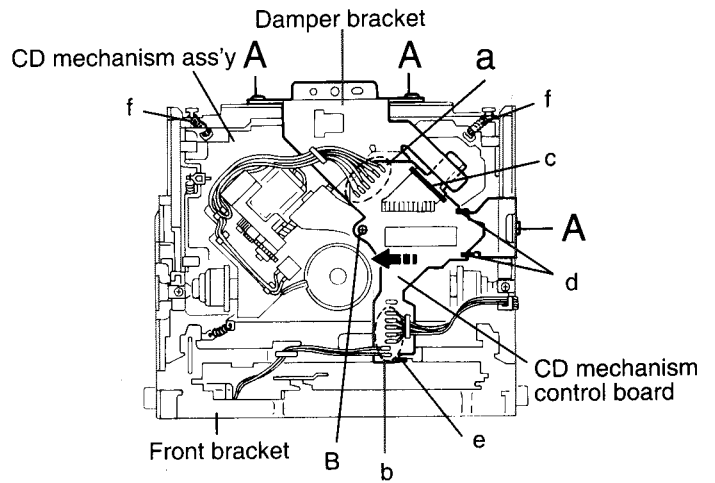


Fig.1

■ Removing the CD mechanism control board (See Fig.1 and 2)

1. Unsolder the part a and b on the CD mechanism control board.
2. Remove the stator fixing the CD mechanism control board and the damper bracket (To remove the stator smoothly, pick up the center part).

Remove the screw B attaching the CD mechanism control board.

Remove the CD mechanism control board in the direction of the arrow while releasing it from the two damper bracket slots d and the front bracket slot e.

Disconnect the flexible wire from connector on the pickup unit.

ATTENTION: Turn the FD gear in the direction of the arrow to move the entire pickup unit to the appropriate position where the flexible wire of the CD mechanism unit can be disconnected easily (Refer to Fig.2).

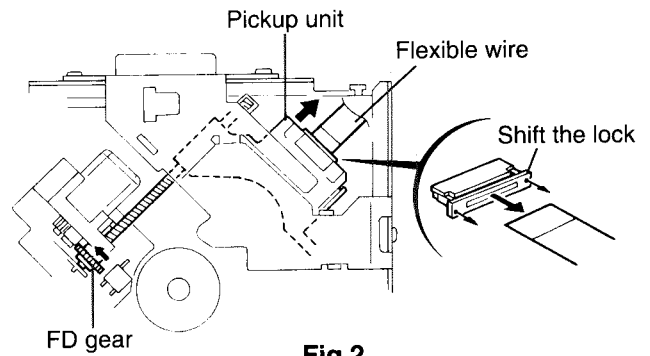


Fig.2

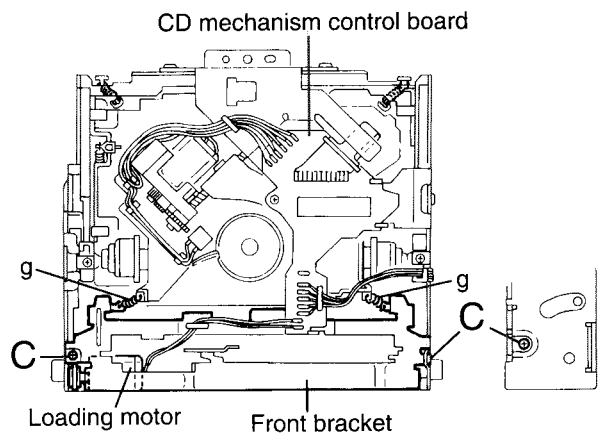


Fig.3

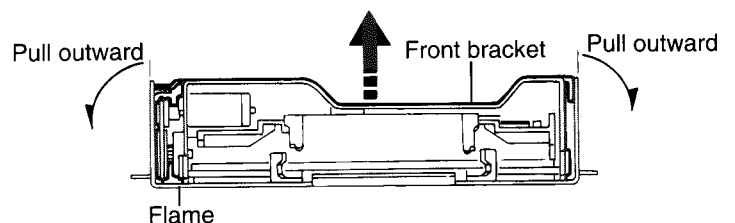


Fig.4

■ Removing the loading motor

(See Fig.3 to 5)

- Prior to performing the following procedure, remove the CD mechanism control board.
1. Remove the two springs g attaching the CD mechanism ass'y and the front bracket.
 2. Remove the two screws C and the front bracket while pulling the flame outward.
 3. Remove the belt and the screw D from the loading motor.

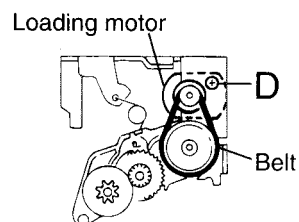


Fig.5

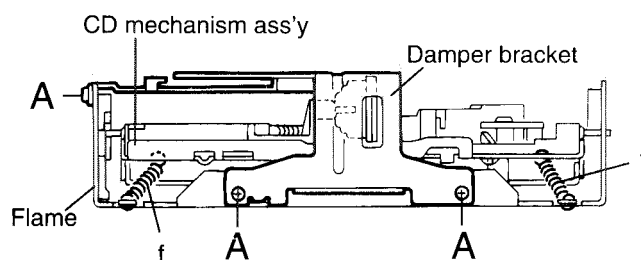


Fig.6

■ Removing the CD mechanism ass'y

(See Fig.1, 6 to 9)

- Prior to performing the following procedure, remove the CD mechanism control PWB and the front bracket (loading motor).
1. Remove the three screws A and the damper bracket.
 2. Raise the both sides fix arms and move the fix plates in the direction of the arrow to place the four shafts A as shown in Fig.8 and 9.
 3. Remove the CD mechanism ass'y and the two springs f attaching the flame.
 4. Remove the two screws E and both sides rear damper brackets from the dampers. Detach the CD

ATTENTION: The CD mechanism ass'y can be removed if only the rear damper bracket on the left side is removed.

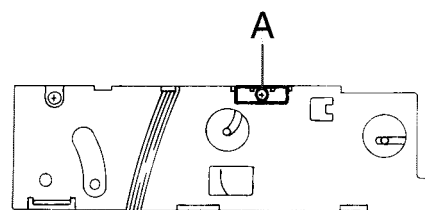


Fig.7

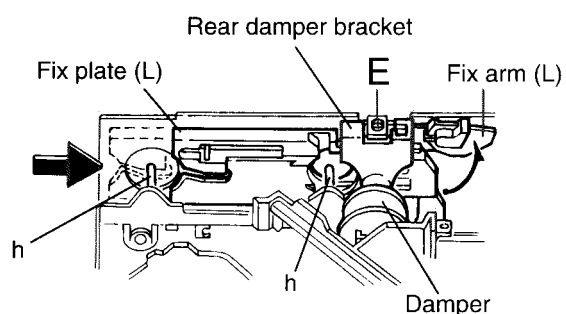


Fig.8

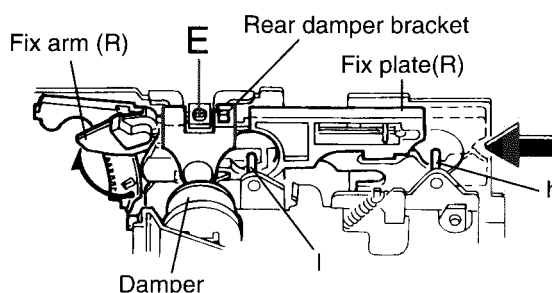


Fig.9

■ Removing the feed motor ass'y
 (See Fig.10)

- Prior to performing the following procedure, remove the CD mechanism control board, the front bracket (loading motor) and the CD mechanism ass'y.

1. Remove the two screws F and the feed motor ass'y.

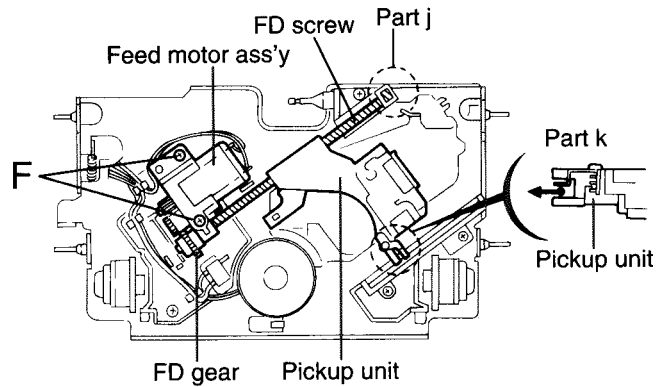


Fig.10

■ Removing the pickup unit
 (See Fig.10 and 11)

- *Prior to performing the following procedure, remove the CD mechanism control board, the front bracket (loading motor), the CD mechanism ass'y and the feed motor ass'y.

1. Detach the FD gear part of the pickup unit upward. Then remove the pickup unit while pulling out the part j of the FD screw.

ATTENTION: When reattaching the pickup unit, reattach the part k of the pickup unit, then the part j of the FD screw.

2. Remove the screw L attaching the nut push spring plate and the pickup mount nut from the pickup unit. Pull out the FD screw.

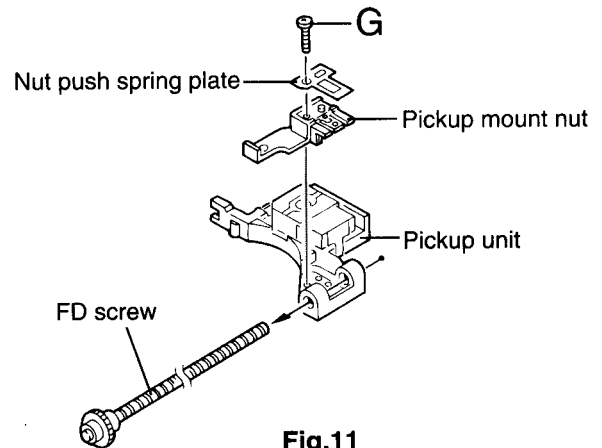


Fig.11

■ Removing the spindle motor
 (See Fig.12 and 13)

- Prior to performing the following procedure, remove the CD mechanism control board, the front bracket (loading motor), the CD mechanism ass'y and the feed motor ass'y.

1. Turn up the CD mechanism ass'y and remove the two springs i on both sides of the clamber arms. Open the clamber arm upward.

2. Turn the turn table, and remove the two screws H and the spindle motor.

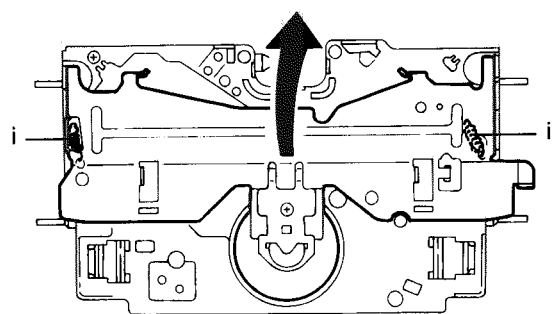


Fig.12

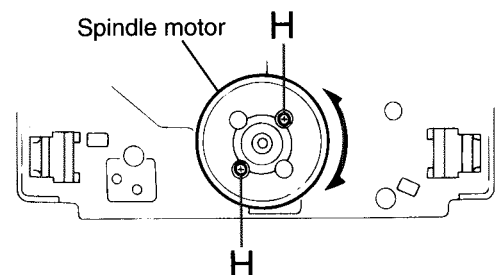


Fig.13

Adjustment method

■ Test instruments required adjustment

1. Digital oscilloscope (100MHz)
2. AM Standard signal generator
3. FM Standard signal generator
4. Stereo modulator
5. Electric voltmeter
6. Digital tester
7. Tracking offset meter
8. Test Disc JVC : CTS-1000
9. Extension cable for check
EXTGS004-26P

■ Standard volume position

Balance and Bass & Treble volume : Indication "0"
Loudness : OFF

■ Frequency Band

FM 1 – 3 87.5MHz – 108.0MHz
MW 522kHz – 1620kHz
LW 144kHz – 279kHz

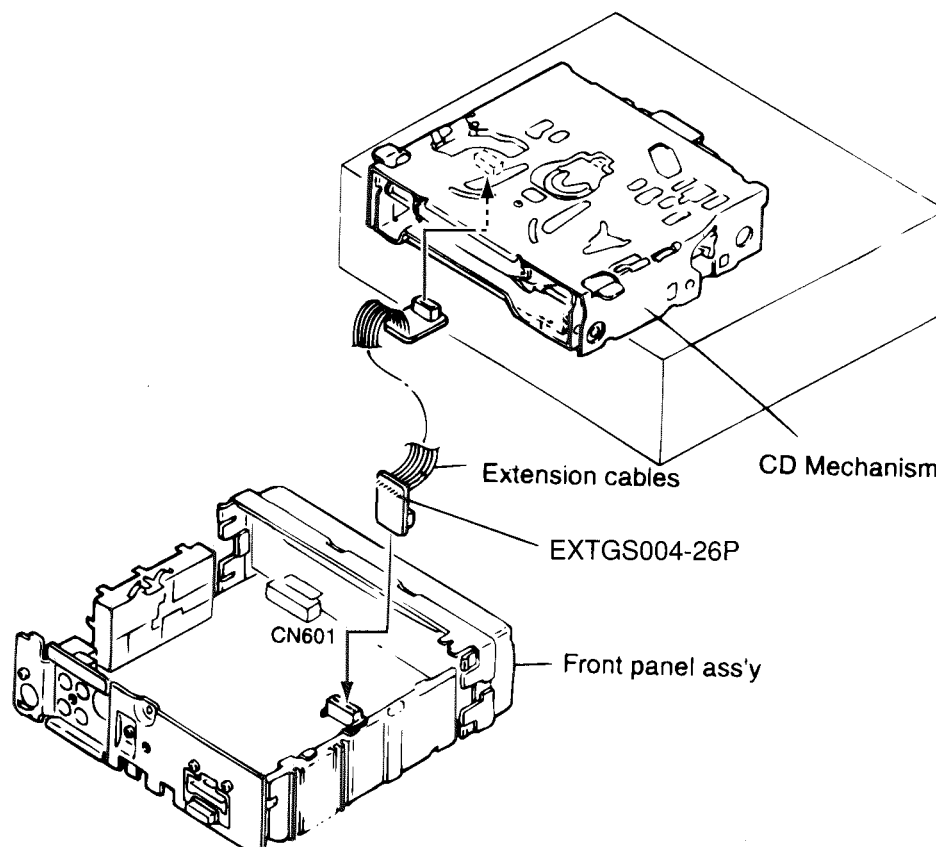
■ Dummy load

Exclusive dummy load should be used for AM, and FM.
For FM dummy load, there is a loss of 6dB between SSG output
and antenna input. The loss of 6dB need not be considered
since direct reading of figures are applied in this working
standard.

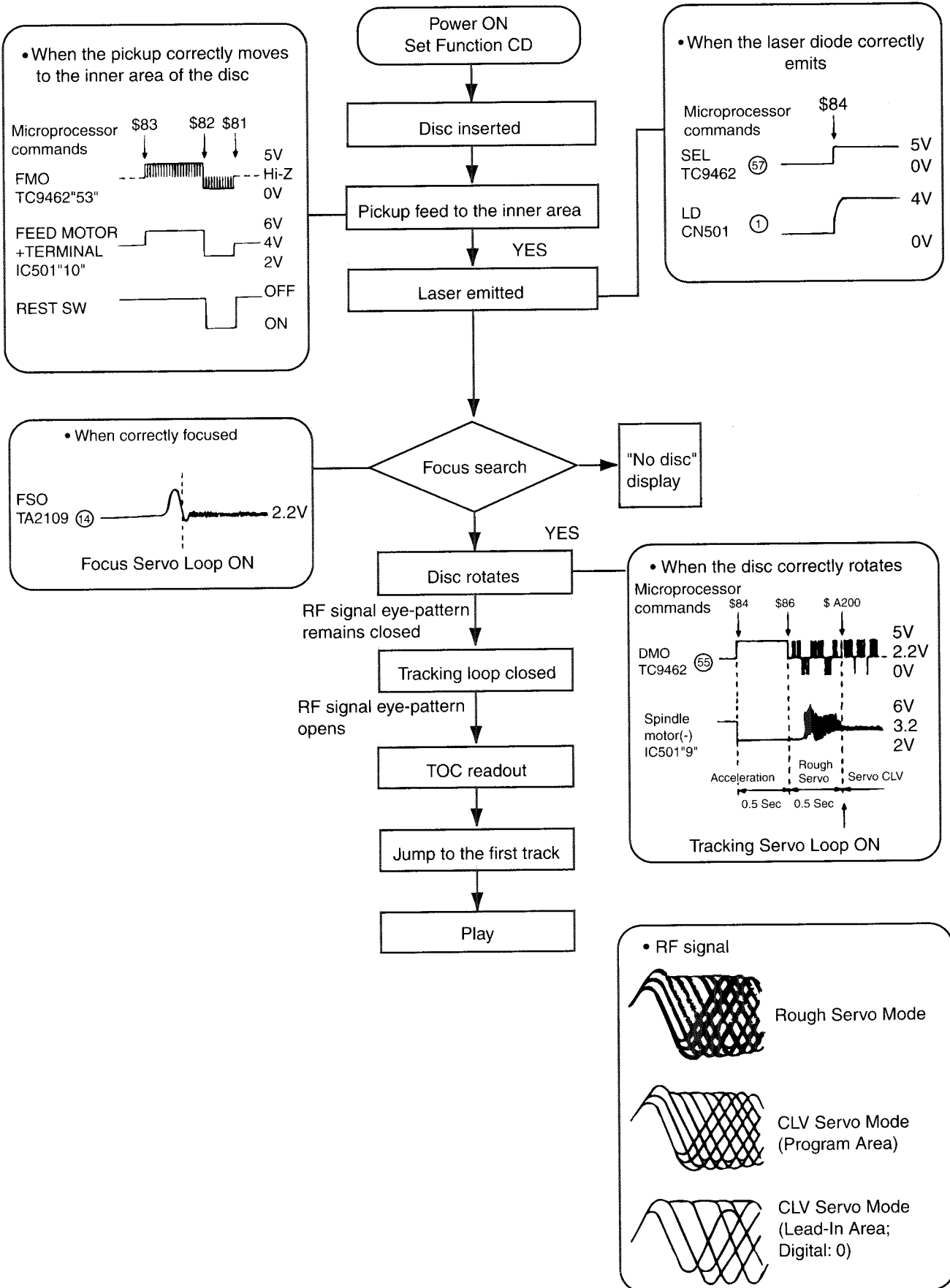
■ Standard measuring conditions

Power supply voltage DC14.4V(10.5 – 16V)
Load impedance 20Kohm(2 Speakers connection)
Output level Line out (Vol. MAX)

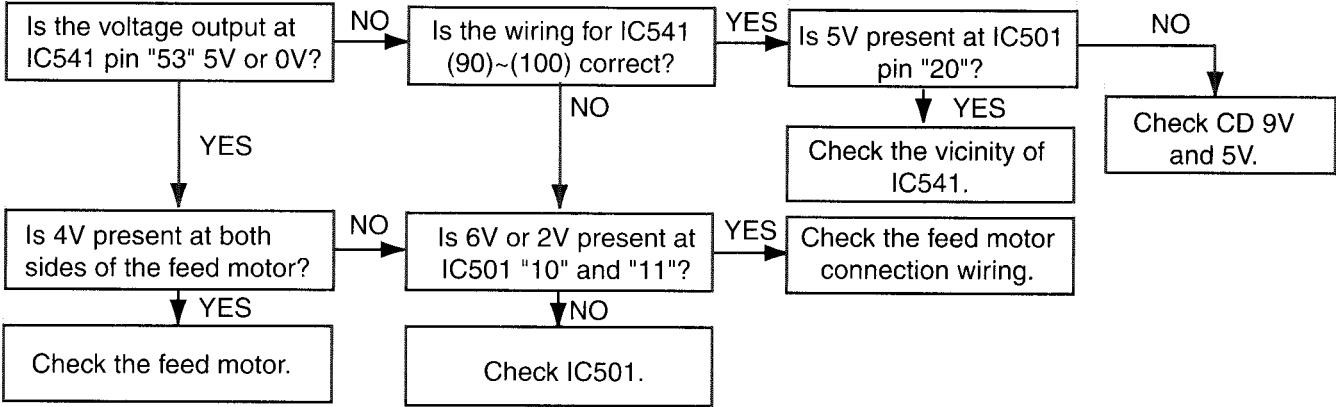
■ How to connect the extension cable for adjusting



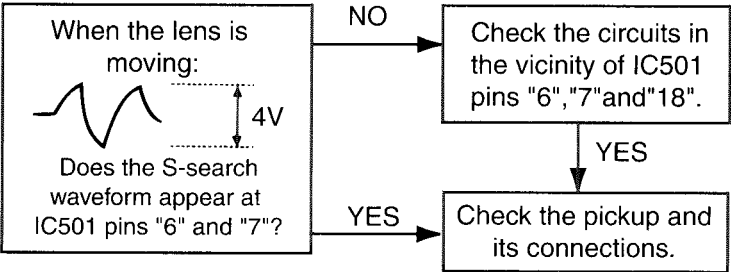
Flow of Functional Operation Unit TOC Read



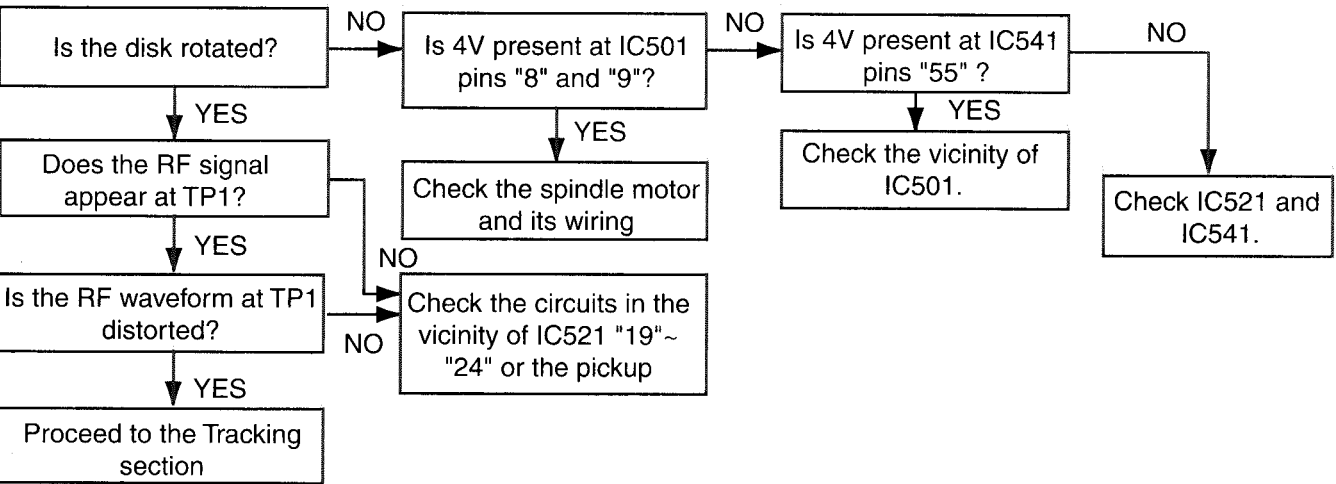
■ Feed section



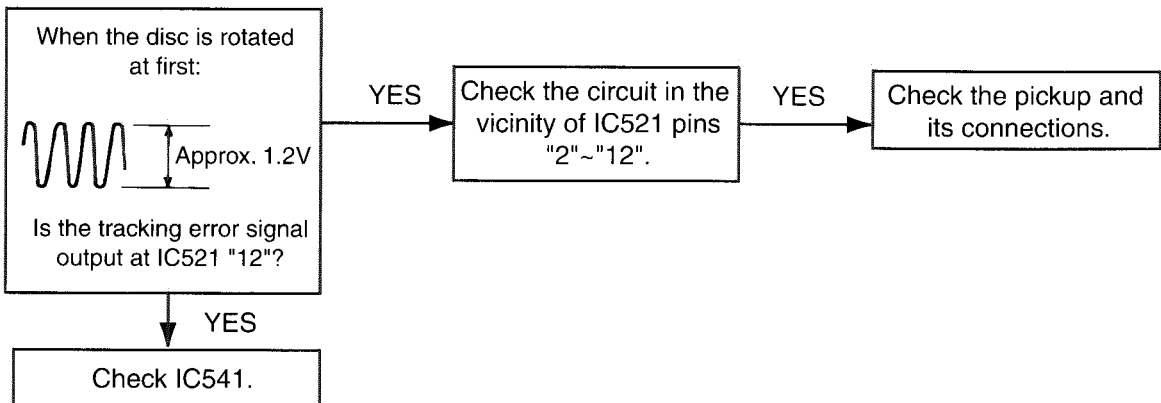
■ Focus section



■ Spindle section



■ Tracking section



Maintenance of laser pickup

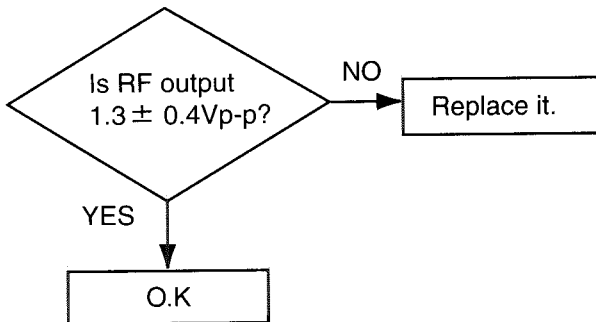
(1) Cleaning the pick up lens

Before you replace the pick up, please try to clean the lens with a alcohol soaked cotton swab.

(2) Life of the laser diode

When the life of the laser diode has expired, the following symptoms will appear.

- (1) The level of RF output (EFM output: amplitude of eye pattern) will be low.



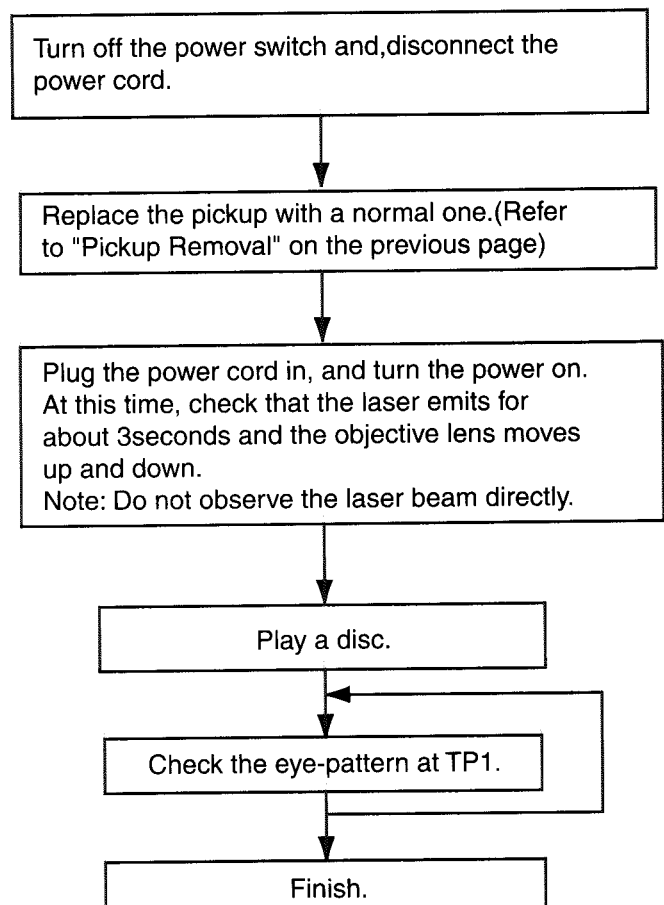
(3) Semi-fixed resistor on the APC PC board

The semi-fixed resistor on the APC printed circuit board which is attached to the pickup is used to adjust the laser power. Since this adjustment should be performed to match the characteristics of the whole optical block, do not touch the semi-fixed resistor.

If the laser power is lower than the specified value, the laser diode is almost worn out, and the laser pickup should be replaced.

If the semi-fixed resistor is adjusted while the pickup is functioning normally, the laser pickup may be damaged due to excessive current.

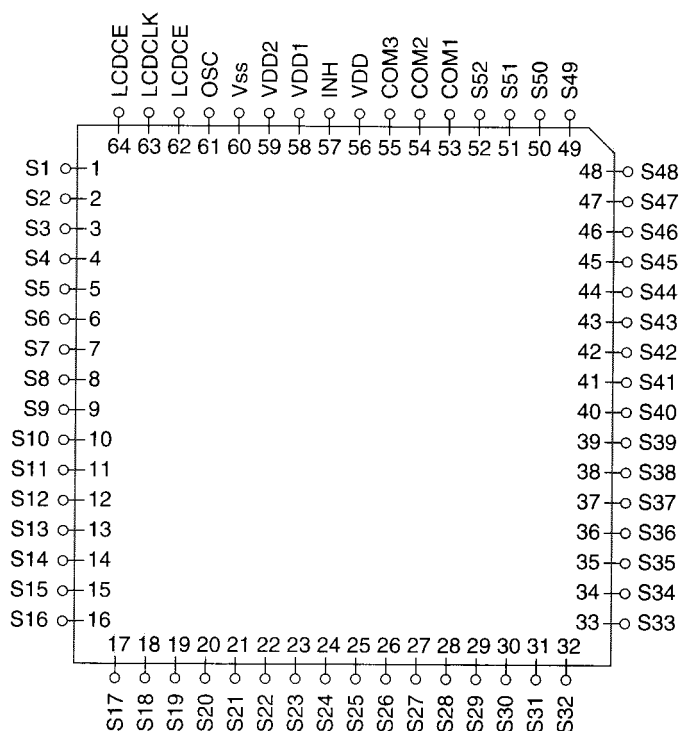
Replacement of laser pickup



Description of major ICs

■ LC75823E (IC691) : LCD Driver

1. Pin Layout & Symbol

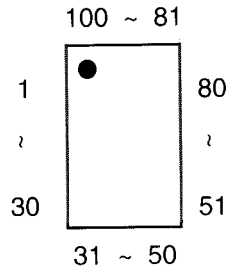


2. Pin Function

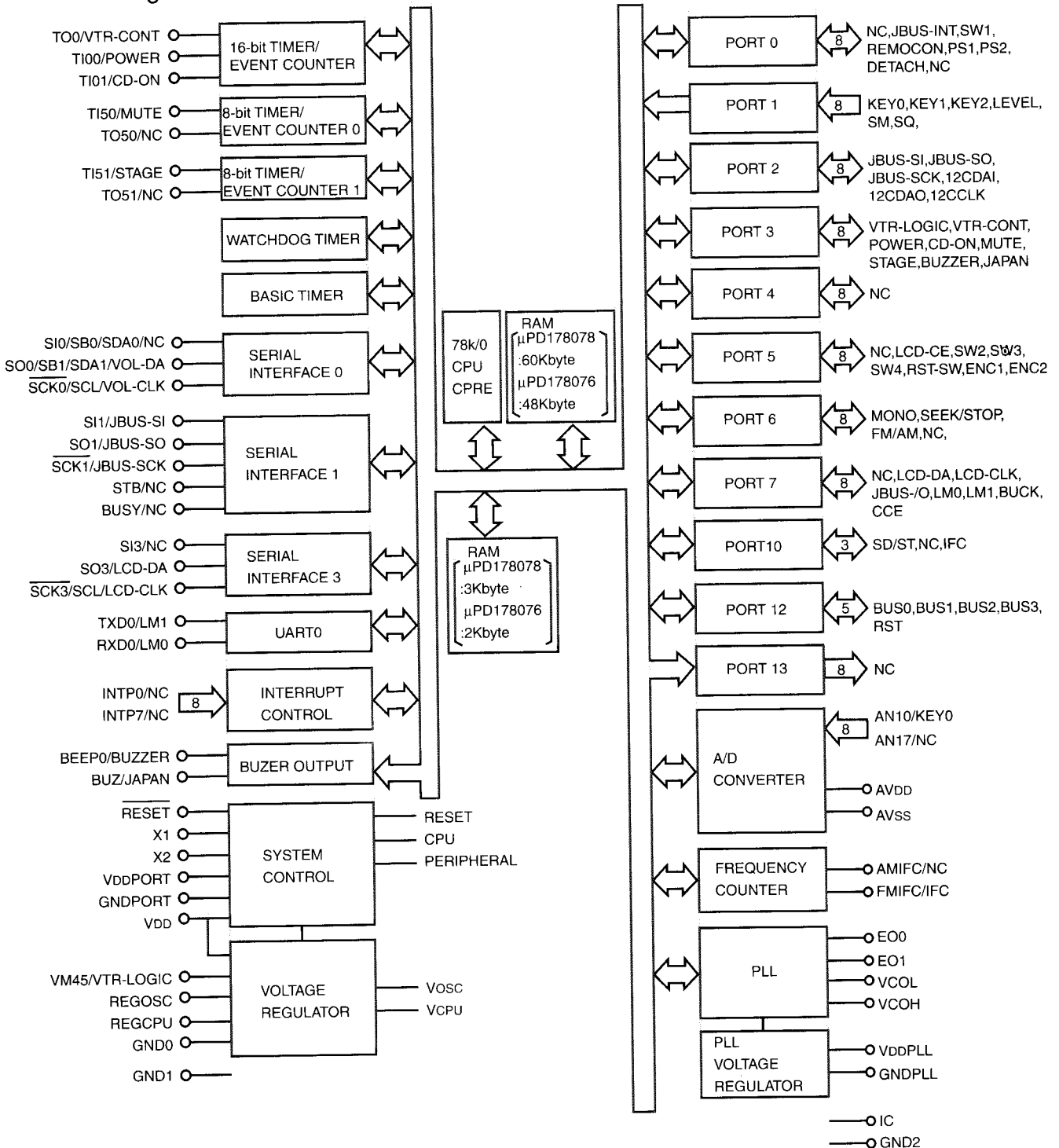
Pin No.	Symbol	I/O	Function
1 to 52	S1 to S52	O	Segment output pins used to display data transferred by serial data input.
53 to 55	COM1 to COM3	O	Common driver output pins. The frame frequency is given by : $t_0 = (f_{osc}/384)Hz$.
56	VDD	--	Power supply connection. Provide a voltage of between 4.5 and 6.0V.
57	\overline{INH}	I	Display turning off input pin. $\overline{INT} = "L"$ (Vss) ----- off (S1 to S52, COM1 to COM3 = "L") $\overline{INT} = "H"$ (VDD) ----- on Serial data can be transferred in display off mode.
58	VDD1	I	Used for applying the LCD drive 2/3 bias voltage externally. Must be connected to VDD2 when a 1/2 bias drive scheme is used.
59	VDD2	I	Used for applying the LCD drive 1/3 bias voltage externally. Must be connected to VDD1 when a 1/2 bias drive scheme is used.
60	Vss	--	Power supply connection. Connect to GND.
61	OSC	I/O	Oscillator connection. An oscillator circuit is formed by connecting an external resistor and capacitor at this pin.
62	LCDCE	I	Serial data interface connection to the controller. CE : Chip enable
63	LCDCLK	I	CLK : Sync clock
64	LCDDI	I	DI : Transfer data

■ UPD178076GF (IC701) : System CPU

1. Terminal layout



2. Block diagram



3.Pin function

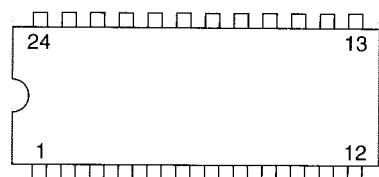
UPD178076GF(1/2)

Pin NO.	Symbol	I/O	FUNCTION
1	NC	-	Non connection
2	JBUS-INT	I	JVC BUS COMMUNICATION LINE
3	JBUS-SI	I	JVC BUS COMMUNICATION LINE
4	JBUS-SO	O	JVC BUS COMMUNICATION LINE
5	JBUS-SCK	O	JVC BUS COMMUNICATION LINE
6	NC	-	Non connection
7	NC	-	Non connection
8	VOL-DAI	I	VOL IC Communication line
9	VOL-DAO	O	VOL IC Communication line
10	VOL-CLK	O	VOL IC Communication line
11	NC	-	Non connection
12	LCD-DA	O	LCD DRIVER COMMUNICATION LINE
13	LCD-SCK	O	LCD DRIVER COMMUNICATION LINE
14	JBUS-I/O	O	JVC BUS OUTPUT SELECT
15	NC	-	Non connection
16	LCD-CE	O	LCD DRIVER COMMUNICATION LINE
17	SW2	I	CD MECHA SW
18	SW3	I	CD MECHA SW
19	SW4	I	CD MECHA SW
20	RST-SW	I	TRAVERSE MECHA REST SW
21	ENC1	I	ENCORDER INPUT
22	ENC2	I	ENCORDER INPUT
23	KEY0	I	KEY INPUT
24	KEY1	I	KEY INPUT
25	KEY2	I	KEY INPUT
26	LEVEL	I	AUDIO LEVEL INPUT
27	AVDD	-	-
28	SM	I	SIGNAL LEVEL METER INPUT
29	SQ	-	SQ Level input
30	NC	-	Pull down
31	NC	-	Pull down
32	AVSS	-	-
33	REGCPU	-	-
34	VDD	-	-
35	REGOSC	-	-
36	X2	-	SYSTEM CLOCK
37	X1	I	SYSTEM CLOCK
38	GND0	-	-
39	SD/ST	I	STATION DETECTOR & STEREO IND.
40	GND2	-	-
41	NC	-	Non connection
42	IFC	I	IF COUNT INPUT
43	VDDPLL	-	-
44	OSC	I	FM,AM OSC INPUT
45	NC	-	Non connection
46	GNDPLL	-	-
47	AME0	O	PLL ERROR OUTPUT FOR AM
48	FME0	O	PLL ERROR OUTPUT FOR FM
49	IC	-	-
50	RESET	I	SYSTEM RESET

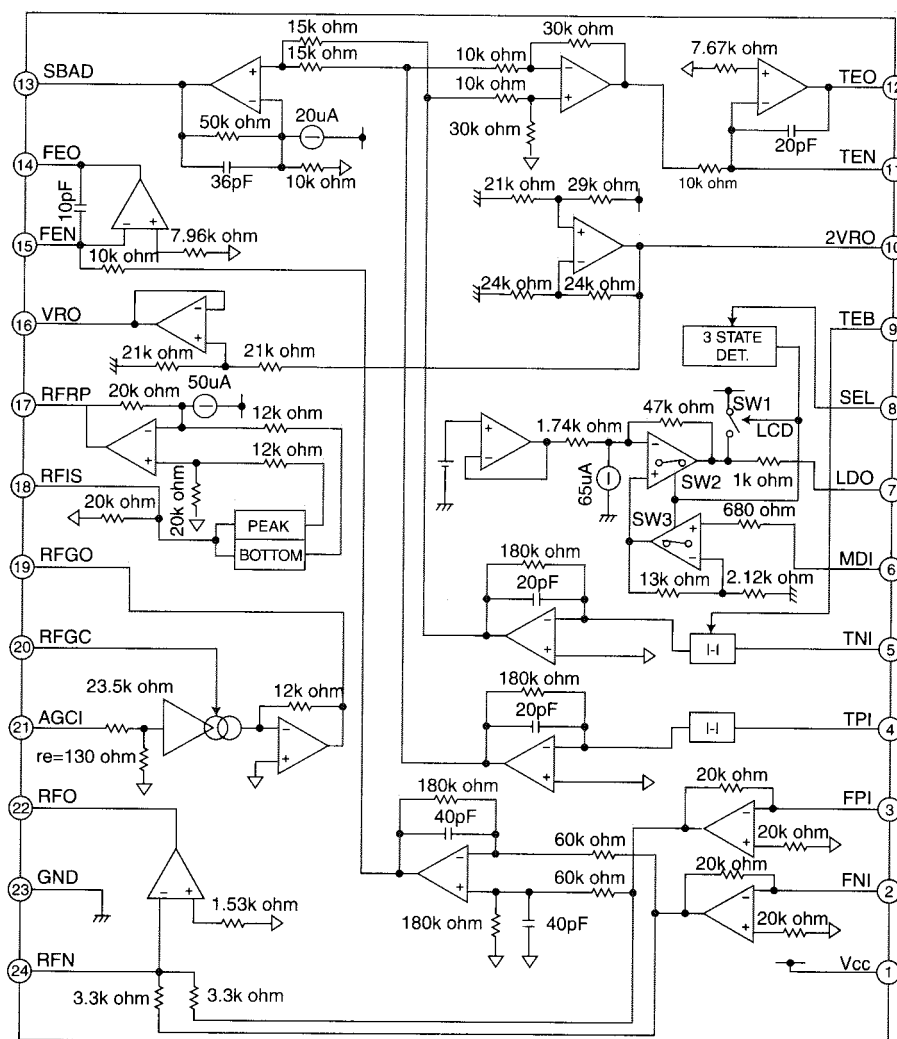
Pin NO.	Symbol	I/O	FUNCTION
51	SW1	I	CD MECHA SW
52	REMOCON	I	REMOCON INPUT
53	NC	I	Non connection
54	TEL-MUTING	O	TEL MUTING DETECT INPUT
55	POWER	O	POWER CONT.
56	CD-ON	O	CD POWER CONT.
57	MUTE	O	MUTE CONT
58	STAGE 1	I	SW FOR SX878 AND S777
59	BUZZER	I	SW FOR USA AND Japan
60	STAGE 2	I	PULL DOWN
61	NC	-	Non connection
62	NC	-	Non connection
63	NC	-	Non connection
64	NC	-	Non connection
65	NC	-	Non connection
66	NC	-	Non connection
67	NC	-	Non connection
68	NC	-	Non connection
69	LM0	O	CD MECHA DRIVER CONT.
70	LM1	O	CD MECHA DRIVER CONT.
71	BUCK	O	CD LSI COMMUNICATION LINE
72	CCE	O	CD LSI COMMUNICATION LINE
73	BUS0	I/O	CD LSI COMMUNICATION LINE
74	BUS1	I/O	CD LSI COMMUNICATION LINE
75	BUS2	I/O	CD LSI COMMUNICATION LINE
76	BUS3	I/O	CD LSI COMMUNICATION LINE
77	RST	O	CD LSI COMMUNICATION LINE
78	PS1	I	ACC DETECTION INPUT
79	PS2	I	MEMORY DETECTION
80	DETACH	I	DETACH DETECTION
81	RDSSCK	I	RDS CLK INPUT
82	GND1	-	MONO BY FORCE
83	MONO	O	MONO BY FORCE
84	SEEK/STP	O	SWITCHING SEEK & STOP
85	FM/AM	O	BAND SW
86	AFCK	-	AF CHECK OUTPUT
87	RDS DATA	-	RDS DATA INPUT
88	PLL MONITOR	-	PLL LOCK OUTPUT
89	NC	-	Non connection
90	NC	-	Non connection
91	NC	-	Non connection
92	NC	-	Non connection
93	NC	-	Non connection
94	NC	-	Non connection
95	NC	-	Non connection
96	NC	-	Non connection
97	NC	-	Non connection
98	NC	-	Non connection
99	VDDPORT	-	D-VDD
100	GNDPORT	-	D-GND

■ TA2109F-X (IC521) : RF amp.

1. Pin layout



2. Block diagram

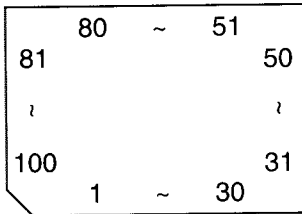


3. Pin function

Pin No.	Symbol	I/O	Pin function	Pin No.	Symbol	I/O	Pin function
1	Vcc	-	Power supply input terminal	13	SBAD	O	Sub beam adder signal output terminal
2	FNI	I	Main beam I-V amp input terminal	14	FEO	O	Focus error signal output terminal
3	FPI	I	Main beam I-V amp input terminal	15	FEN	I	FE amp negative input terminal
4	TPI	I	Sub beam I-v input terminal	16	VRO	O	Reference voltage (VREF) output terminal
5	TNI	I	Sub beam I-V input terminal	17	RFRP	O	Track count signal output terminal
6	MDI	I	Monitor photo diode amp input terminal	18	RFIS	I	RFRP detect circuit input terminal
7	LDO	O	Laser diode amp output terminal	19	RFGO	O	RF gain signal output terminal
8	SEL	I	Laser diode control signal input terminal	20	RFGC	I	RF amplitude adj. control signal input terminal
9	TEB	I	T. error balance adj. signal input terminal	21	AGCI	I	RF signal amplitude adj. amp input terminal
10	2VRO	O	Reference voltage output terminal	22	RFO	O	RF signal output terminal
11	TEN	I	TE amp negative input terminal	23	GND	-	Ground terminal
12	TEO	O	TE error signal output terminal	24	RFN	I	RF amp negative input terminal

■ TC9462F (IC541) : DSP & DAC

1.Pin Layout



2.Pin Function (1/2)

Pin No.	Symbol	I/O	Function
1	TEST0	-	Non connection
2	HSO	-	Non connection
3	UHSO	-	Non connection
4	EMPH	-	Non connection
5	LRCK	-	Non connection
6	Vss	-	Digital GND terminal
7	BCK	-	Non connection
8	AOUT	-	Non connection
9	DOUT	-	Non connection
10	MBOV	-	Non connection
11	IPF	-	Non connection
12	SBOK	-	Non connection
13	CLCK	-	Non connection
14	VDD	-	Digital power supply voltage terminal
15	VSS	-	Digital GND terminal
16	DATA	-	Non connection
17	SFSY	-	Non connection
18	SBSY	-	Non connection
19	SPCK	-	Non connection
20	SPDA	-	Non connection
21	COFS	-	Non connection
22	MONIT	-	Non connection
23	VDD	-	Digital power supply voltage terminal
24	TESIO0	I	Test input/output terminal. Normally, keep at "L" level
25	P2VREF	-	PLL double reference voltage supply terminal
26	HSSW	-	Non connection
27	ZDET	-	Non connection
28	PDO	O	Phase difference signal output terminal of EFM signal and PLCK signal
29	TMAXS	O	TMAX detection result output terminal. Selected by command bit (TMPS)
30	TMAX	O	TMAX detection result output terminal. Selected by command bit (TMPS)
31	LPFN	I	LPF amplifier inverting input terminal for PLL
32	LPFO	O	LPF amplifier output terminal for PLL
33	PVREF	-	PLL reference voltage supply terminal
34	VCOREF	I	VCO center frequency reference level terminal
35	VCOF	O	VCO filter terminal
36	AVss	-	Analog GND terminal
37	SLCO	O	Data slice level output terminal
38	RFI	I	RF signal input terminal
39	AVDD	-	Analog power supply voltage terminal

2.Pin Function (2/2)

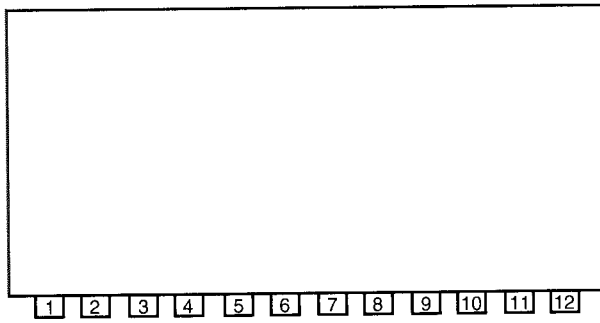
TC9462F

Pin No.	Symbol	I/O	Function
40	RFCT	I	RFRP signal center level input terminal
41	RFZI	I	RFRP zero cross input terminal
42	RFRP	I	RF ripple signal input terminal
43	FEI	I	Focus error signal input terminal
44	SBAD	I	Sub-beam adder signal input terminal
45	TSIN	I	Test input terminal Normally, keep at "vref" level
46	TEI	I	Tracking error signal input terminal. Take in at tracking servo ON.
47	TEZI	I	Tracking error zero cross input terminal
48	FOO	O	Focus servo equalizer output terminal
49	TRO	O	Tracking servo equalizer output terminal
50	VREF	-	Analog reference voltage supply terminal
51	RFGC	O	RF amplitude adjustment control signal output terminal
52	TEBC	O	Tracking balance control signal output terminal
53	FMO	O	Feed equalizer output terminal
54	FVO	O	Speed error signal or feed search equalizer output terminal
55	DMO	O	Disk equalizer output terminal (PWM carrier=88.2kHz for DSP, Synchronize to PXO)
56	2VREF	-	Analog double reference voltage supply terminal
57	SEL	O	APC circuit ON/OFF indication signal output terminal
58~61	FLGA~D	-	Non connection
62	VDD	-	Digital power supply voltage terminal
63	VSS	-	Digital GND terminal
64~67	IO0~3	-	Non connection
68	DMOUT	-	Non connection
69	CKSE	-	Non connection
70	DDACT	-	Non connection
71	TESIN	I	Test input terminal, Normally, keep at "L" level
72	TESIO1	I	Test input/output terminal. Normally, keep at "L" level
73	VSS	-	Digital GND terminal
74	PXI	I	Crystal oscillator connecting input terminal for DSP
75	PXO	-	Non connection
76	VDD	-	Digital power supply voltage terminal
77	XVSS	-	Oscillator GND terminal for system clock
78	XI	I	Crystal oscillator connecting input terminal for system clock
79	XO	O	Crystal oscillator connecting output terminal for system clock
80	XVDD	-	Oscillator power supply voltage terminal for system clock
81	DVSR	-	Analog GND terminal for DA converter (Rch)
82	RO	O	R channel data forward output terminal
83	DVDD	-	Analog supply voltage terminal for DA converter
84	DVR	-	Reference voltage terminal for DA converter
85	LO	O	L channel data forward output terminal
86	DVSL	-	Analog GND terminal for DA converter (Lch)
87~89	TEST1~3	-	Test mode terminal . Normal keep at open
90~93	BUS0~3	I/O	Micon interface data input/output terminal
94	VDD	-	Digital power supply voltage terminal
95	VSS	-	Digital GND terminal
96	BUCK	I	Micon interface clock input terminal
97	CCE	I	Command and data sending/receiving chip enable signal input terminal
98	TEST4	I	Test mode terminal. Normal, keep at open
99	TSMOD	I	Local test mode selection terminal
100	RST	I	Reset signal input terminal. Reset at "L" level

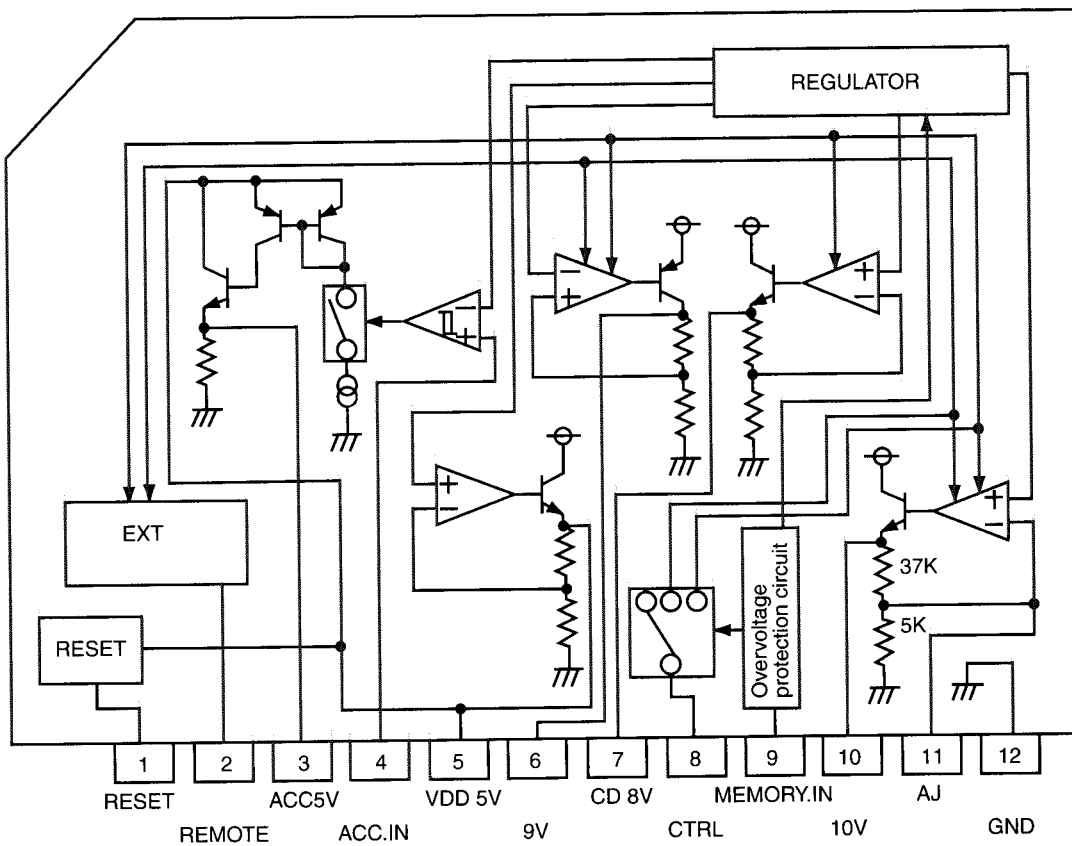
KD-SX878R
KD-S777R

■ BA4905-V3 (IC961) : Regulator

1. Terminal layout



2. Block diagram



3.Pin function

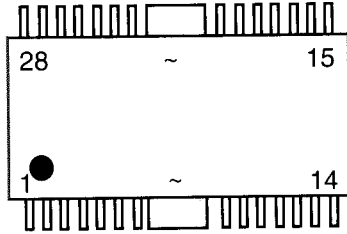
BA4905-V3

Pin no.	Symbol	Function
1	RESET	If VDD voltage becomes 4V or less.RESET output becomes low level.
2	REMOTE	This output voltage is approximately 0.5V lower than VCC. and max output current is 300mA.
3	ACC5V	A voltage supply for ACC block.This output voltage is approximately 0.7V lower than VDD's. The max output current is 100mA.
4	ACC.IN	Control of the COMP output by inputting voltage.
5	VDD 5V	This output voltage is 5.7V, and max output current is 100mA. This voltage supply is for microcomputer. Whenever back up voltage supply is connected, the output keeps on running.
6	9V	This output voltage is 9.0v, and max output current is 500mA. This voltage supply for AUDIO.
7	CD8V	This output voltage is 8.0V, and max output current is 1A. This voltage supply for CD.
8	CTRL	Output selector of CD. AUDIO, ILM and EXT.
9	MEMORY.IN	To be connected with the BACK UP of car.
10	10V	This output voltage is 10V, and max output current is 500mA. Output voltage is adjustable.
11	AJ	Non connection
12	GND	Ground.

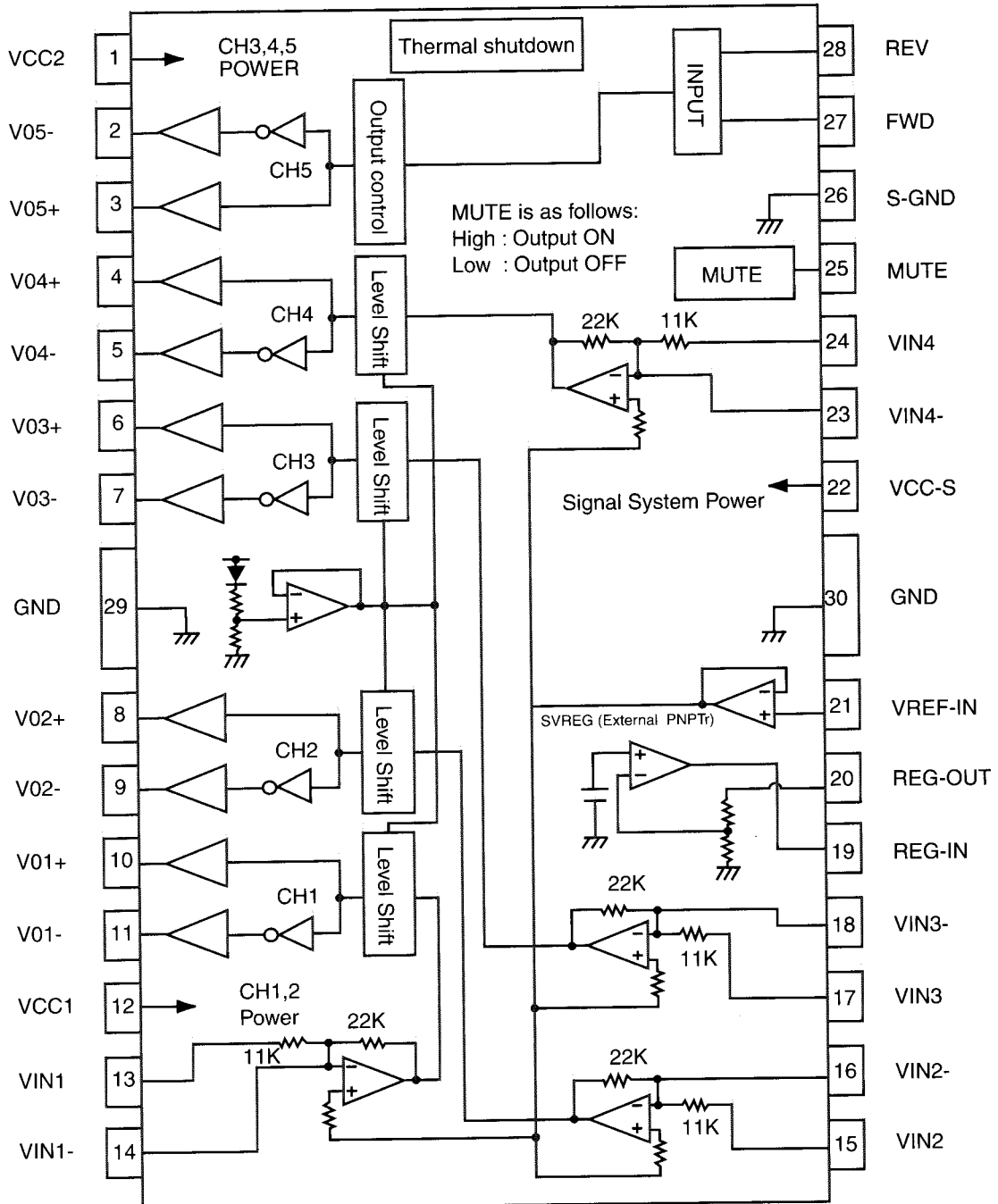
KD-SX878R
 KD-S777R

■ LA6557-X (IC501) : BTL Driver

1. Terminal layout



2. Block diagram



3.Pin function

LA6557-X(2/2)

Pin NO.	Symbol	Function
1	VCC2	Power for channels 3,4, and 5 (VCC1 and VCC-S short-circuited)
2	V05-	Loading output (-)
3	V05+	Loading output (+)
4	V04+	Output pin (+) for channel 4
5	V04-	Output pin (-) for channel 4
6	V03+	Output pin (+) for channel 3
7	V03-	Output pin (-) for channel 3
8	V02+	Output pin (+) for channel 2
9	V02-	Output pin (-) for channel 2
10	V01+	Output pin (+) for channel 1
11	V01-	Output pin(-) for channel 1
12	VCC1	Power for channels 1 and 2 (BTL), (VCC-S and VCC2 short-circuited)
13	VIN1	Non connection
14	VIN1-	Input pin for channel 1 (for gain control)
15	VIN2	Non connection
16	VIN2-	Input pin for channel 2 (for gain control)
17	VIN3	Non connection
18	VIN3-	Input pin for channel 3 (for gain control)
19	REG-IN	Regulator pin (External PNP base)
20	REG-OUT	Regulator pin (External PNP collector)
21	VREF-IN	Reference voltage input pin
22	VCC-S	Signal system power (VCC and VCC2 short-circuited)
23	VIN4-	Input pin for channel 4 (for gain control)
24	VIN4	Non connection
25	MUTE	Output ON/OFF, channels 1 to 4 (BTL AMP)
26	S-GND	Signal system GND
27	FWD	5CH(VL0) Output change pin (FWD), Logic input for loading block
28	REV	5CH(VL0) Output change pin (REV), Logic input for loading block
29	GND	Frame GND
30	GND	Frame GND

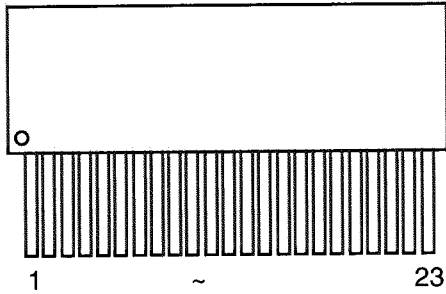
* The center frame (FR) functions as power system GND. Set this to the minimum potential together with S-GND.

* Short-circuit three pins of power system, VCC-S, VCC1, and VCC2, externally before use.

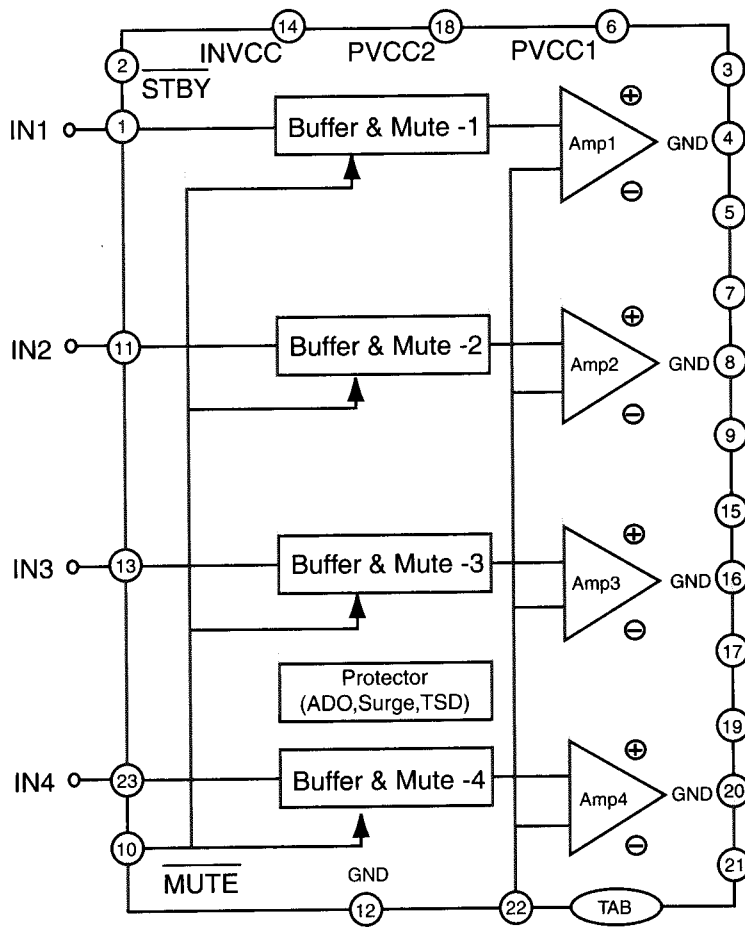
KD-SX878R
KD-S777R

■ HA13158A (IC301) : Power AMP

1. Terminal layout



2. Block diagram



note1) TAB(header of IC)
connected to GND

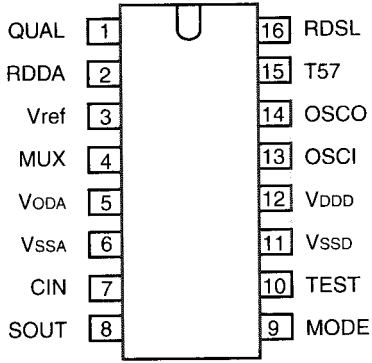
3.Pin Function

HA13158A

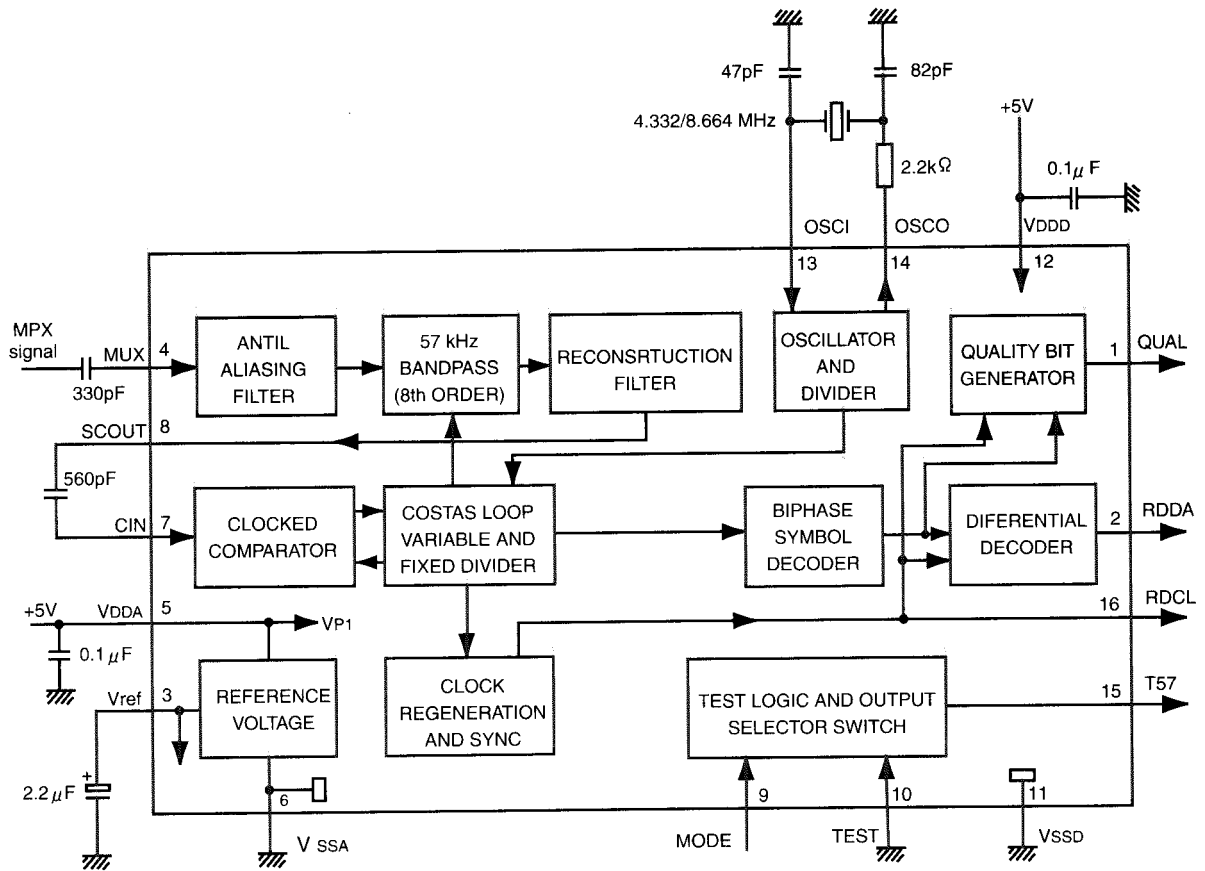
Pin	Symbol	Function
1	INRR	Amp 1 input
2	STANDBY	Standby input
3	OUTRR+	Amp 1 output +
4	GND	GND
5	OUTRR-	Amp 1 output-
6	VCC	Power
7	OUTFR+	Amp 2 output +
8	GND	GND
9	OUTFR-	Amp 2 output -
10	MUTEING	Muting control input
11	INFR	Amp 2 input
12	GND	GND
13	INFR	Amp 3 input
14	VCC	Power
15	OUTFL+	Amp 3 output +
16	GND	GND
17	OUTFL+	Amp 3 output -
18	GND	GND
19	OUTRL+	Amp 4 output +
20	GND	GND
21	OUTRL-	Amp 4 output -
22	VREF	Reference voltage
23	INRL	Amp 4 input

■ SAA6579T-X (IC71) : RDS Detector

1. Pin layout



2. Block diagram



MEH162

Via the pin MODE two different crystal frequencies can be used:

MODEL	x-tal clock
LOW	4.332 MHz
HIGH	8.664 MHz

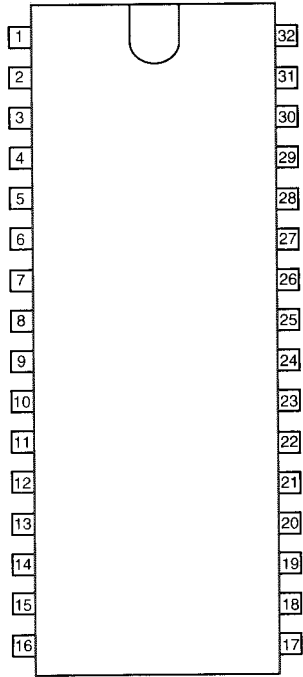
3. Pin function

SAA6579-X

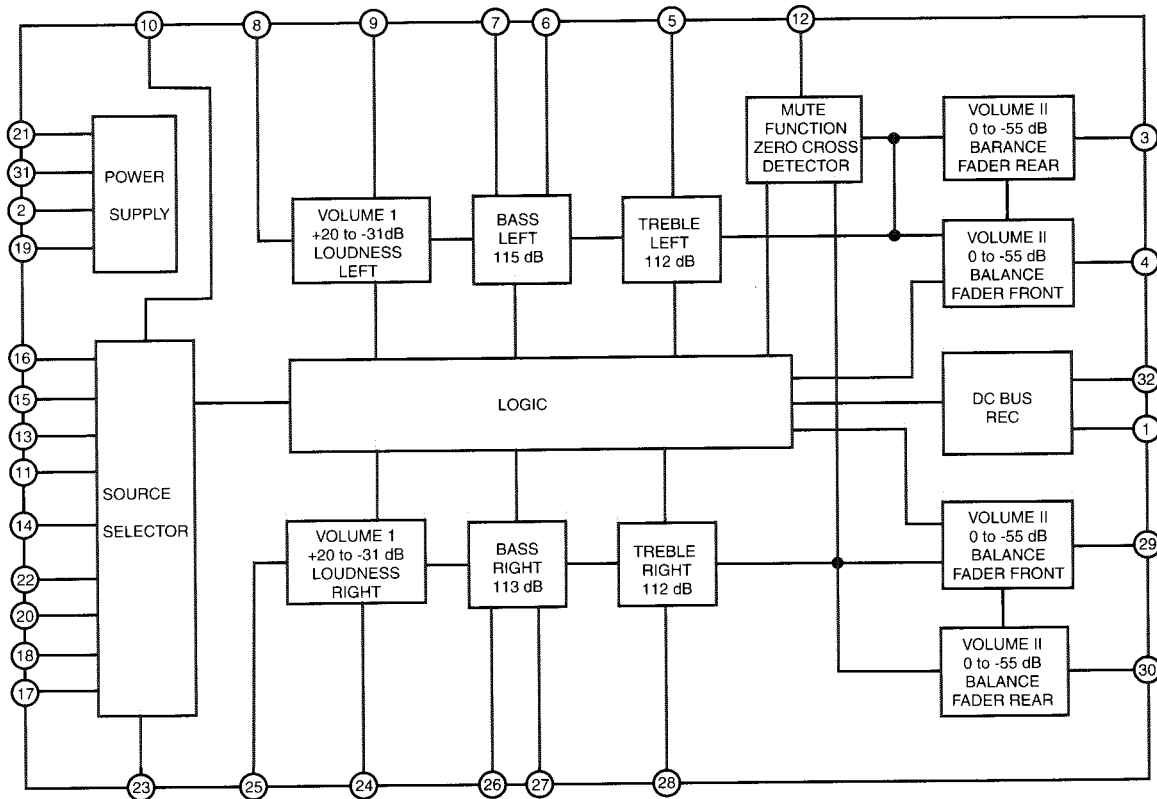
PIN	SYMBOL	DESCRIPTION
1	QUAL	Quality indication output
2	RDDA	RDS data output
3	Vref	Reference voltage output (0.5VDDA)
4	MUX	Multiplex signal input
5	VDDA	+5V supply voltage for analog part
6	VSSA	Ground for analog part (0V)
7	CIN	Sub carrier input to comparator
8	SCOUT	Sub carrier output of reconstruction filter
9	MODE	Oscillator mode / test control input
10	TEST	Test enable input
11	VSSD	Ground for digital part (0V)
12	VDDD	+5V supply voltage for digital part
13	OSCI	Oscillator input
14	OSCO	Oscillator output
15	T57	57kHz clock signal output
16	RDCL	RDS clock output

■ TEA6320T-X (IC161) : E. Volume

1. Terminal layout



2. Block diagram



3. Pin function

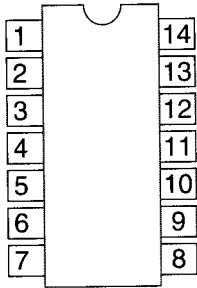
TEA6320T-X

Pin No.	Symbol	Description
1	SDA	Serial data input / output
2	GND	Ground
3	OUTRL	Output left rear
4	OUTLF	Output left front
5	TL	Treble control capacitor left channel or input from an external equalizer
6	B2L	Bass control capacitor left channel or output to an external equalizer
7	B1L	Bass control capacitor, left channel
8	IVL	Input volume I, left control part
9	ILL	Input loudness, left control part
10	QSL	Output source selector, left channel
11	NC	Non connection
12	NC	Non connection
13	INCDCHL	Changer Lch
14	IMO	Input mono source
15	INTUL	Tuner Lch
16	INCDL	CD Lch
17	INCDR	CD Rch
18	INTUR	Tuner Rch
19	CAP	Electronic filtering for supply
20	INCDCHR	Changer Rch
21	VREF	Reference voltage
22	NC	Output source selector right channel
23	QSR	Input loudness right channel
24	ILR	Input volume I, right control part
25	IVR	Bass control capacitor right channel
26	B1R	Bass control capacitor right channel or output to an external equalizer
27	B2R	Treble control capacitor right channel or input from an external equalizer
28	TR	Output right front
29	OUTRF	Output right rear
30	OUTRR	Supply voltage
31	VCC	Serial clock input
32	SCL	

KD-SX878R
 KD-S777R

■ HD74HC126FP-X (IC801) : Buffer

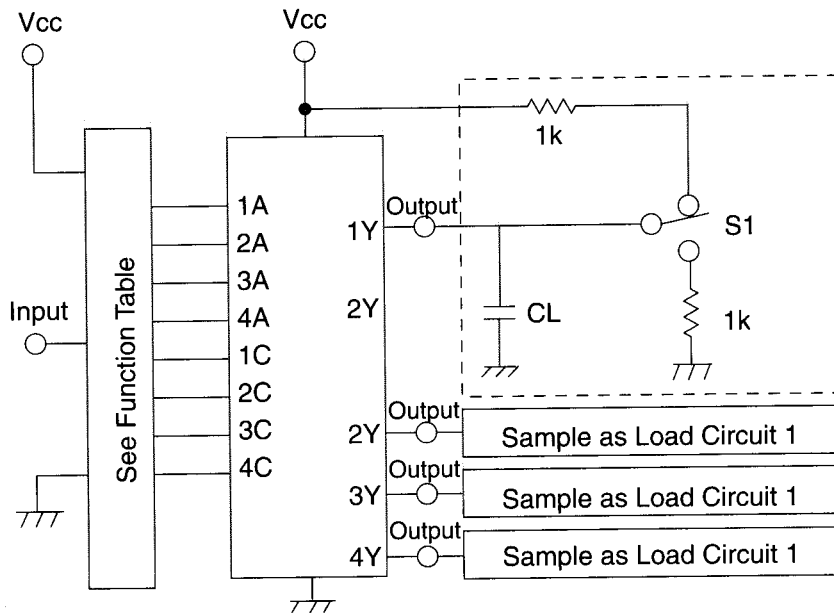
1. Pin layout



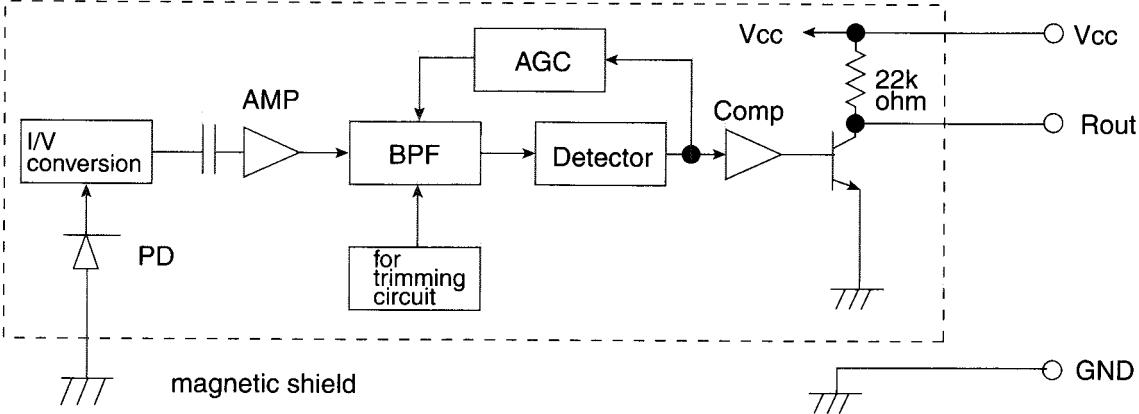
2. Function

Inputs		Outputs
C	A	Y
L	X	Z
H	L	H
H	H	L

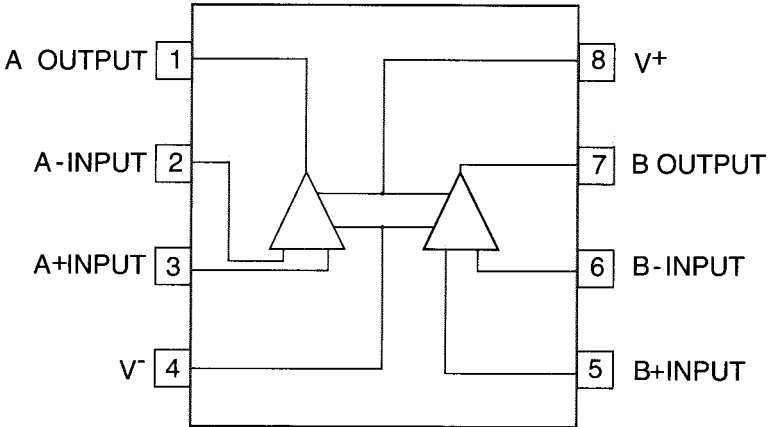
3. Block diagram



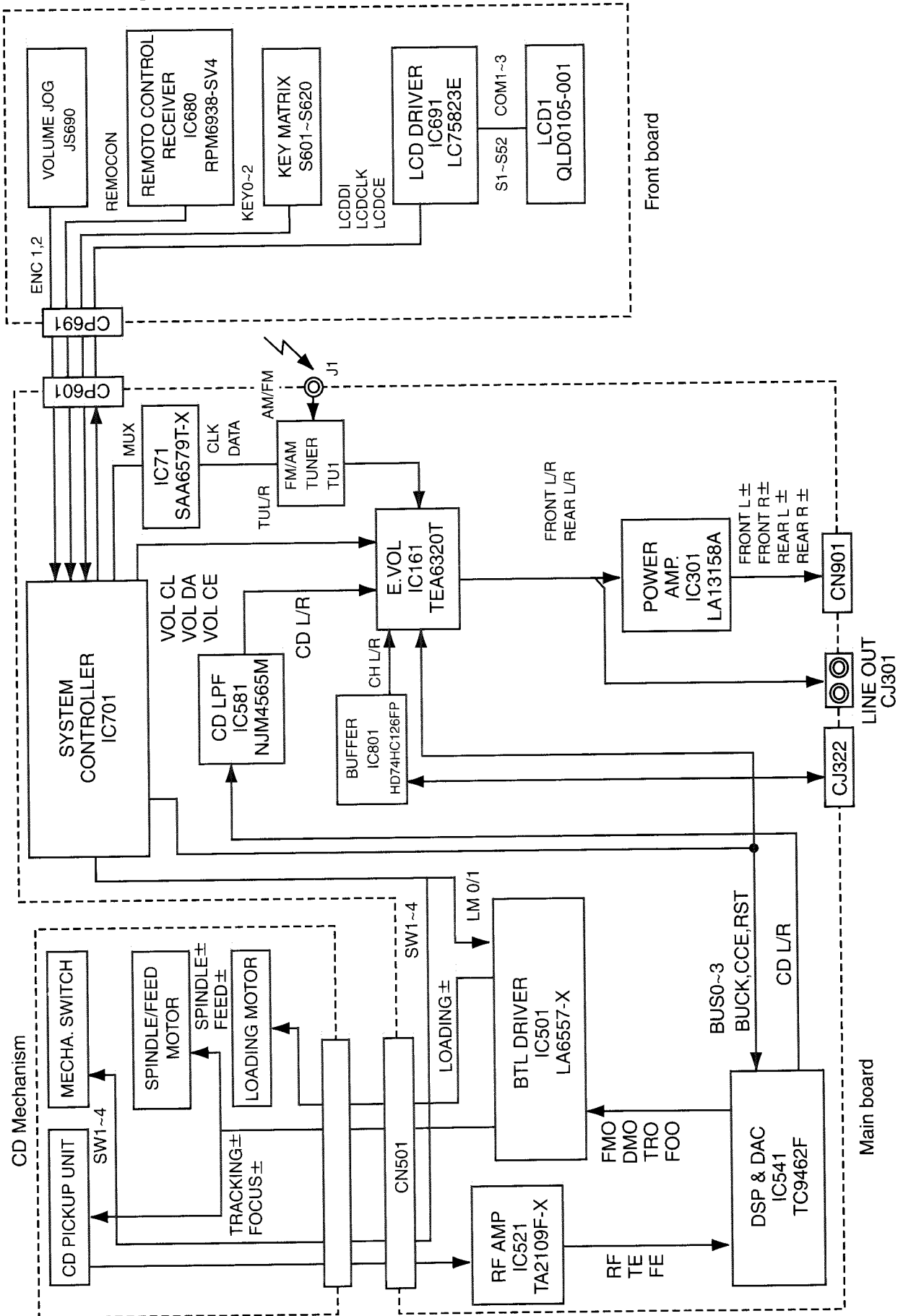
■ RPM6938-SV4 (IC680) : Remote control receiver



■ NJM4565M-WE (IC581) : CD L.P.F.



Block diagram

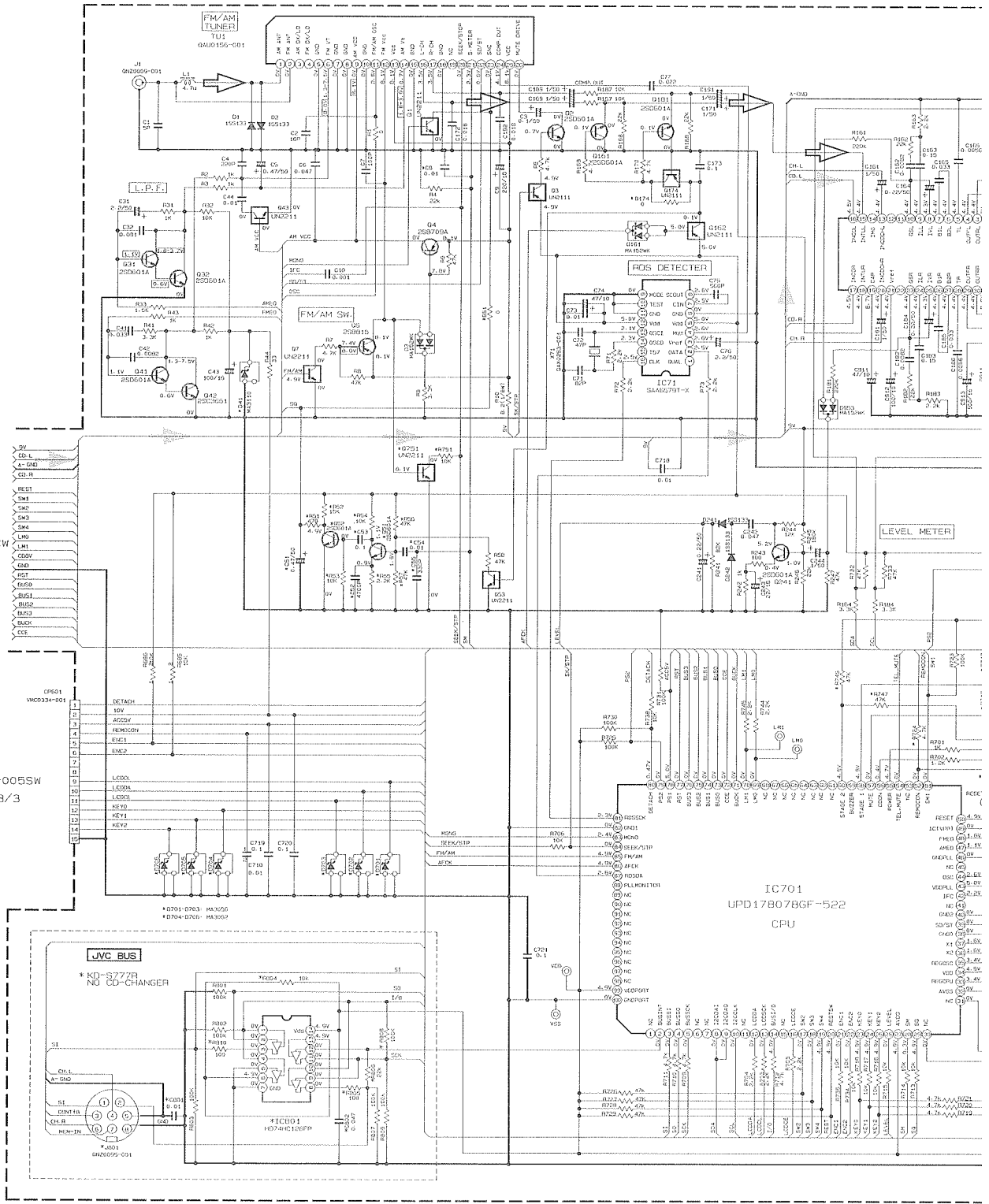


Changer
 KD-S777R NO CD-CHANGER

Standard schematic diagrams

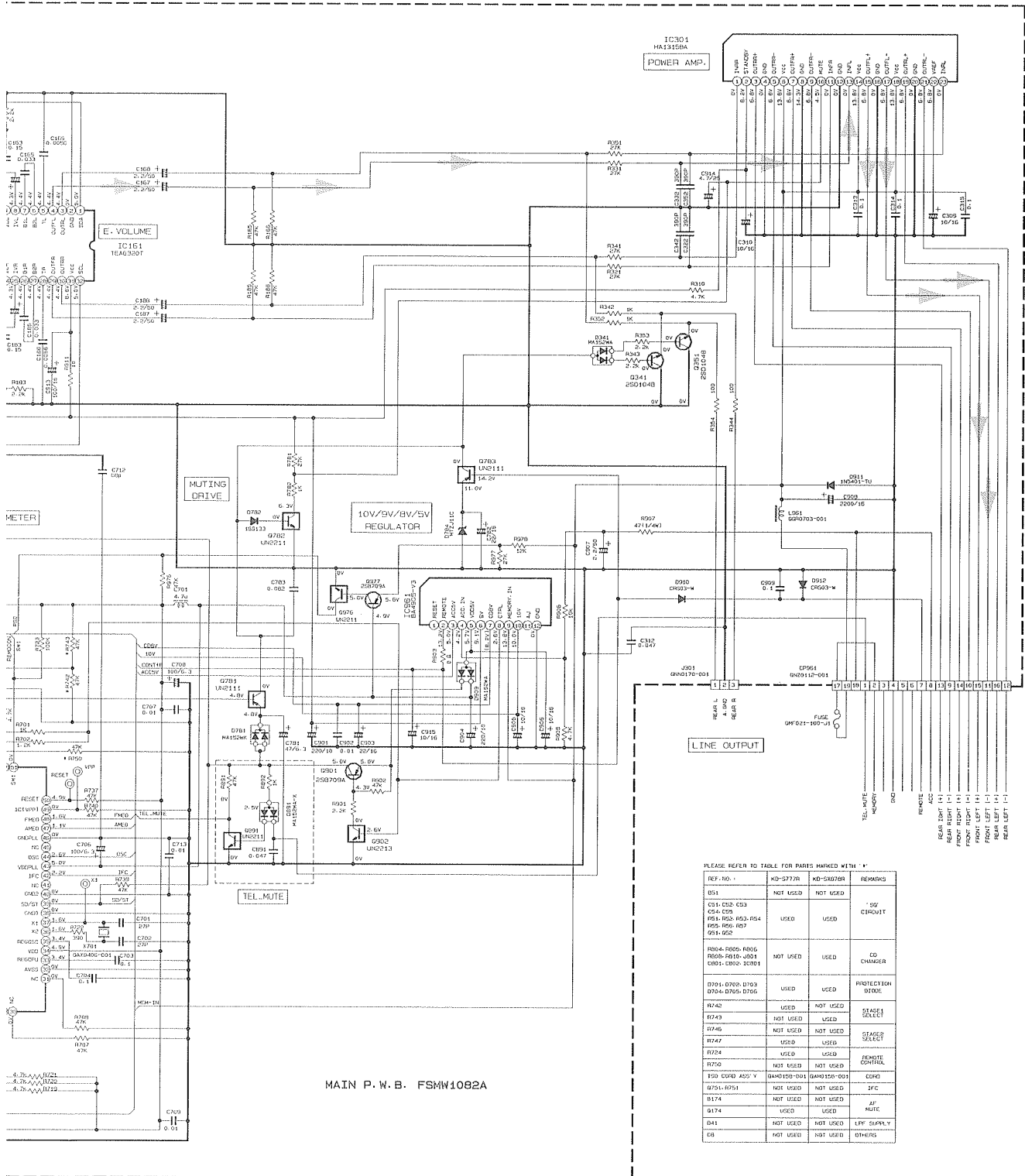
Receiver & power amplifier circuit

5
4
3
2
1



Note: /s/Cjes/3116.001

A B C D



PLEASE REFER TO TABLE FOR PARTS MARKED WITH *

REF. NO. *	KD-S777R	KD-S8078R	REMARKS
B51	NOT USED	NOT USED	
C51-C52-C53			* 50' CHARACTER
C54-C55	USED	USED	
F51-F52-F53-F54			
F55-F56-F57			
G51-G52			
H004-F005-F006	NOT USED	USED	CD CHANGER
H006-H016-J001			
K001-K002-K003			
L001-L002-L003	USED	USED	PROTECTION D200C
M001-M002-M003			
N001-N002	USED	NOT USED	
P001-P002	NOT USED	USED	STAGE SELECT
Q001-Q002	NOT USED	NOT USED	STAGE SELECT
R001-R002	USED	USED	
S001-S002	USED	USED	REMOTE CONTROL
T001-T002	NOT USED	NOT USED	
U001-U002-U003	NOT USED	NOT USED	IC
V001-V002	NOT USED	NOT USED	AT MUTE
W001-W002	USED	USED	
X001-X002	NOT USED	NOT USED	LPF SUPPLY
Y001-Y002	NOT USED	NOT USED	OTHERS

CD/MAIN SIGNAL
 TUNER SIGNAL

■ CD Servo control circuit

5

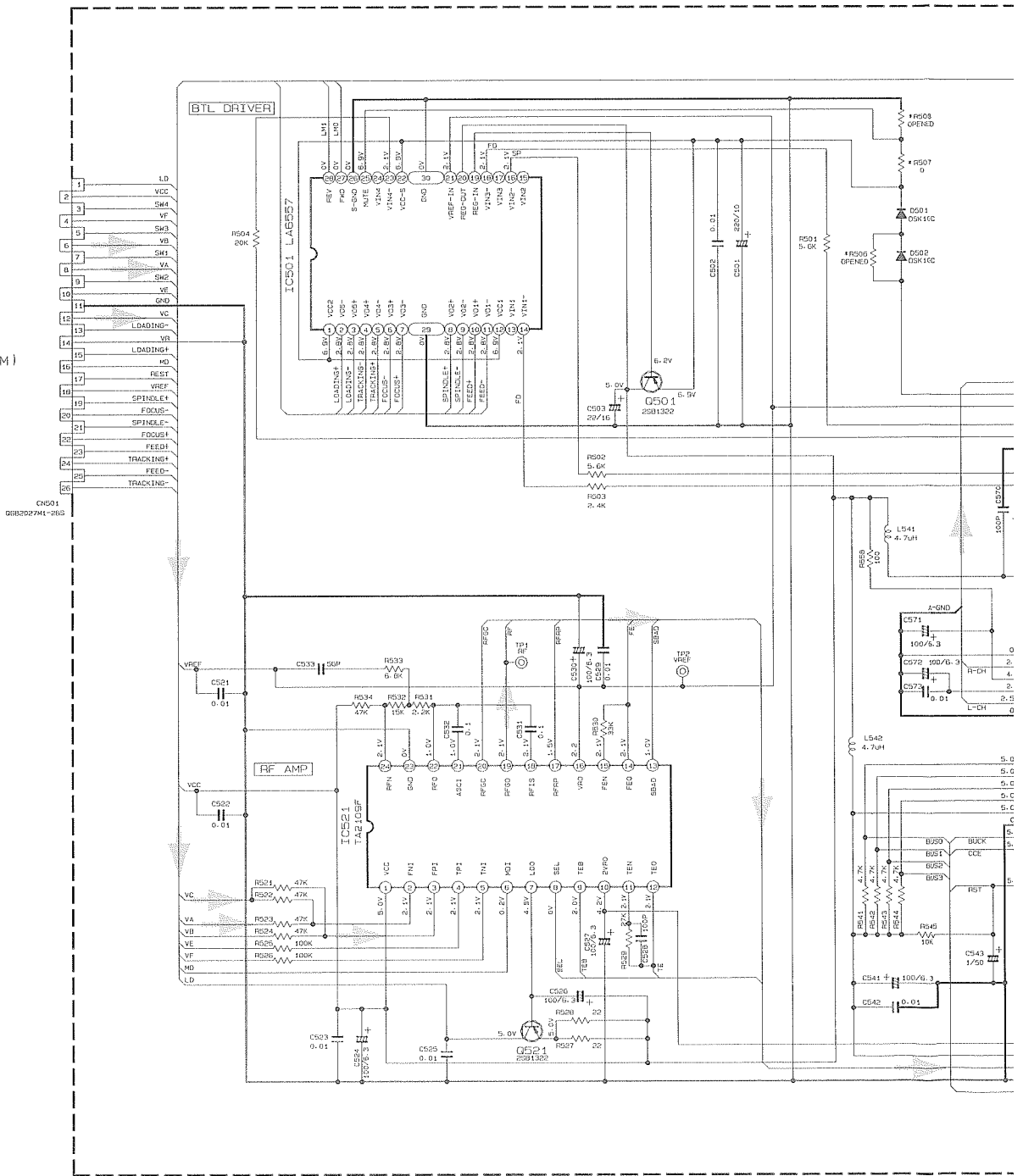
4

3

2

1

TO
CD MECHA
(BDL1089-001M)



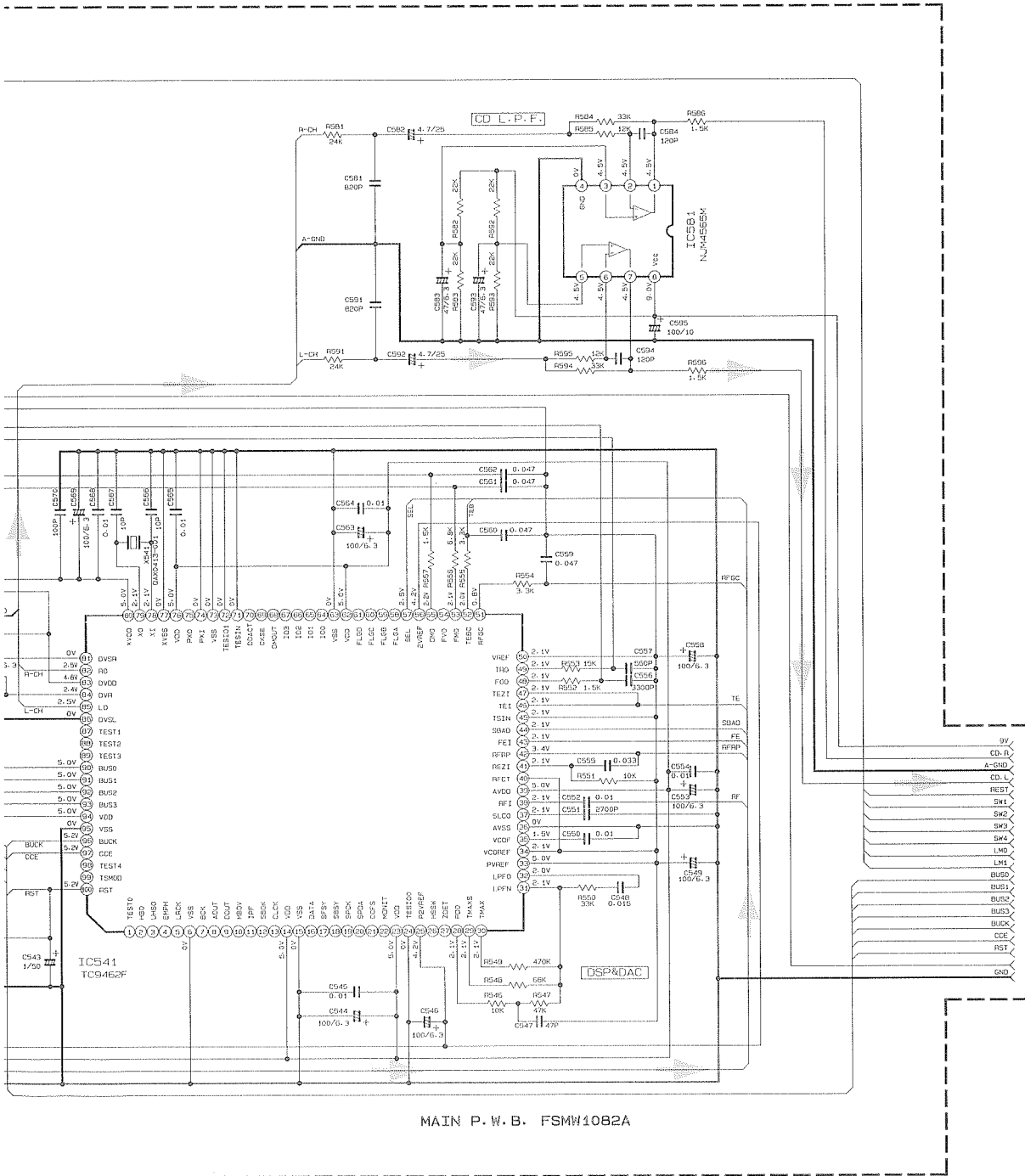
Note: /s/C/jes/3116.002

A

B

C

D



TO
FSDH3116-005TW
SHEET 1/3

➔ CD/MAIN SIGNAL

■ LCD Driver circuit

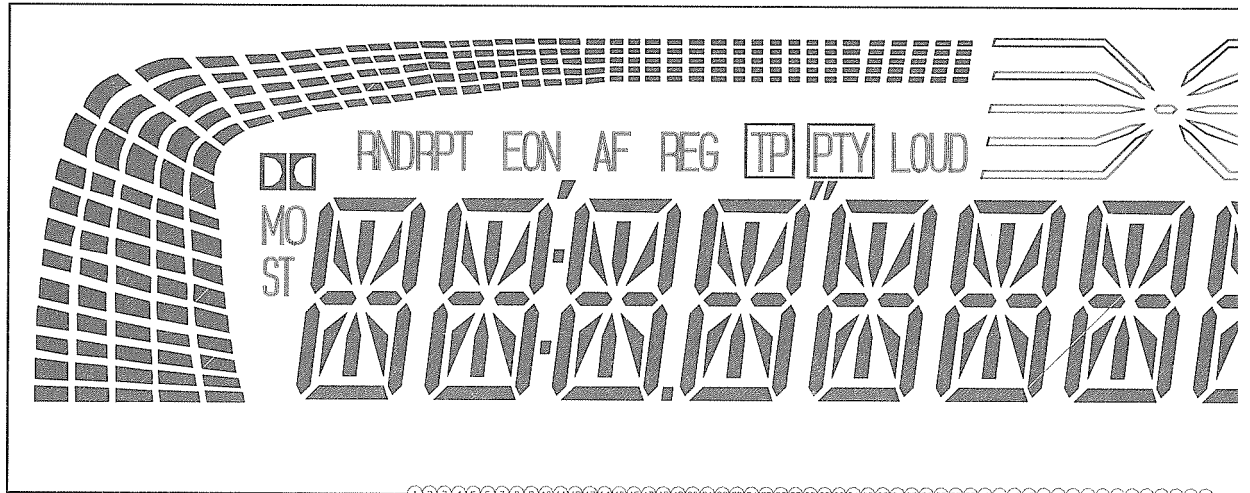
5

4

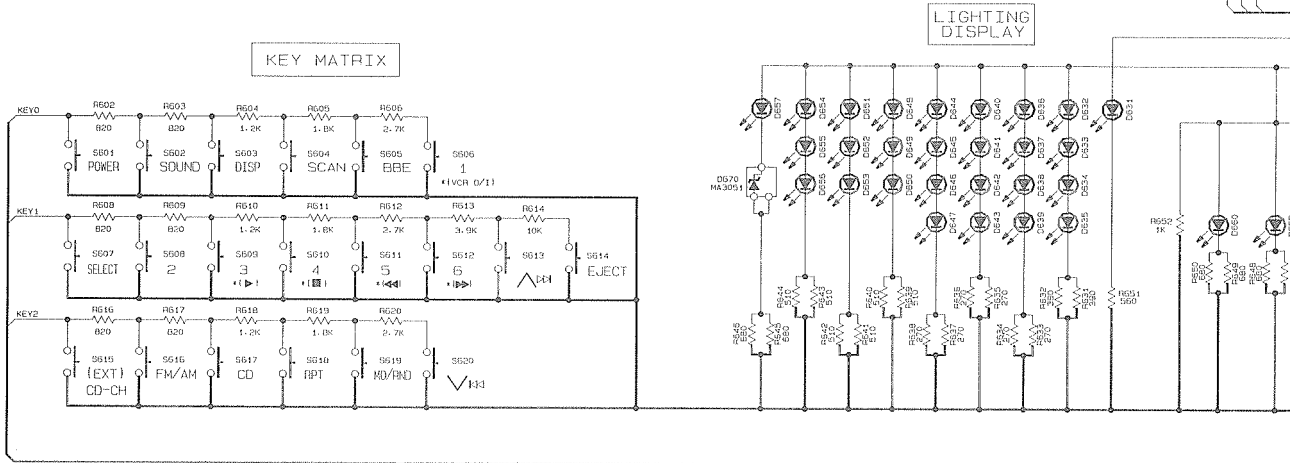
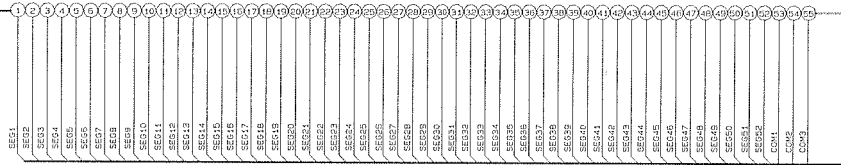
3

2

1



LCD1
QL00105-001



FOR KD-SX850 ONLY
*[]- FUNCTION KEY FOR VCR OPERATION

FRONT CIRCUIT BOARD SECTION

Note:/s/C/jes/3121.003

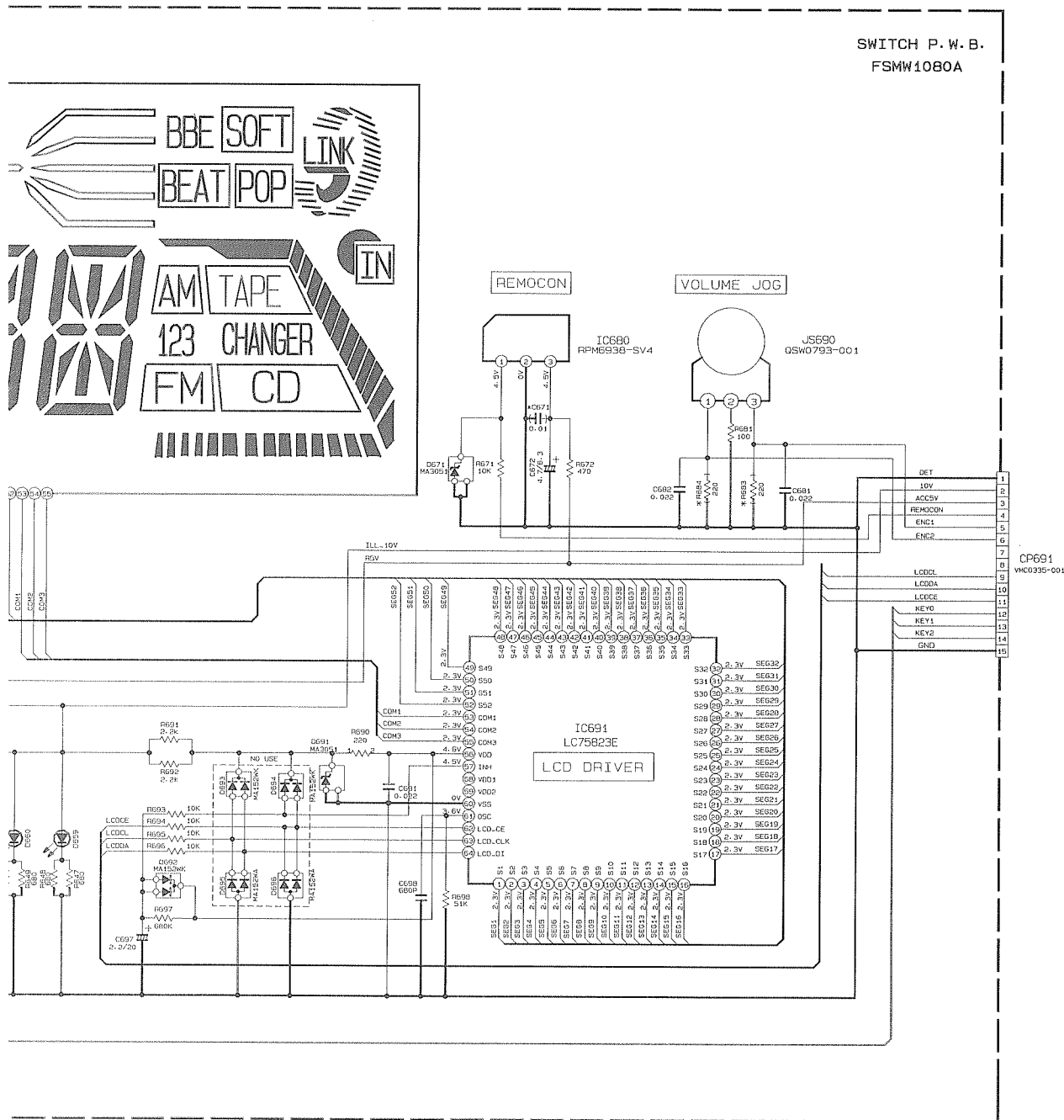
FR
SR
DR
DS

A

B

C

D



NOTES

- VOLTAGES ARE DC-MEASURED WITH A DIGITAL VOLT METER WITHOUT INPUT SIGNAL CONDITION---CD MODE.
- UNLESS OTHERWISE SPECIFIED.
ALL RESISTORS ARE 1/10W ±5% METAL GLAZE RESISTOR.
ALL CAPACITORS ARE 50V OR 25V OR 16V CERAMIC CAPACITOR
ALL RESISTANCE VALUES ARE IN OHM.
ALL CAPACITANCE VALUES ARE IN uF [P=pF]
ALL CAPACITORS ARE SHOWN IN THE FORM OF CAPACITANCE(uF)/RATED VOLTAGE(V)
T ----- T.S.E. CAPACITOR

Printed circuit boards

■ Main board
 (Forward side)

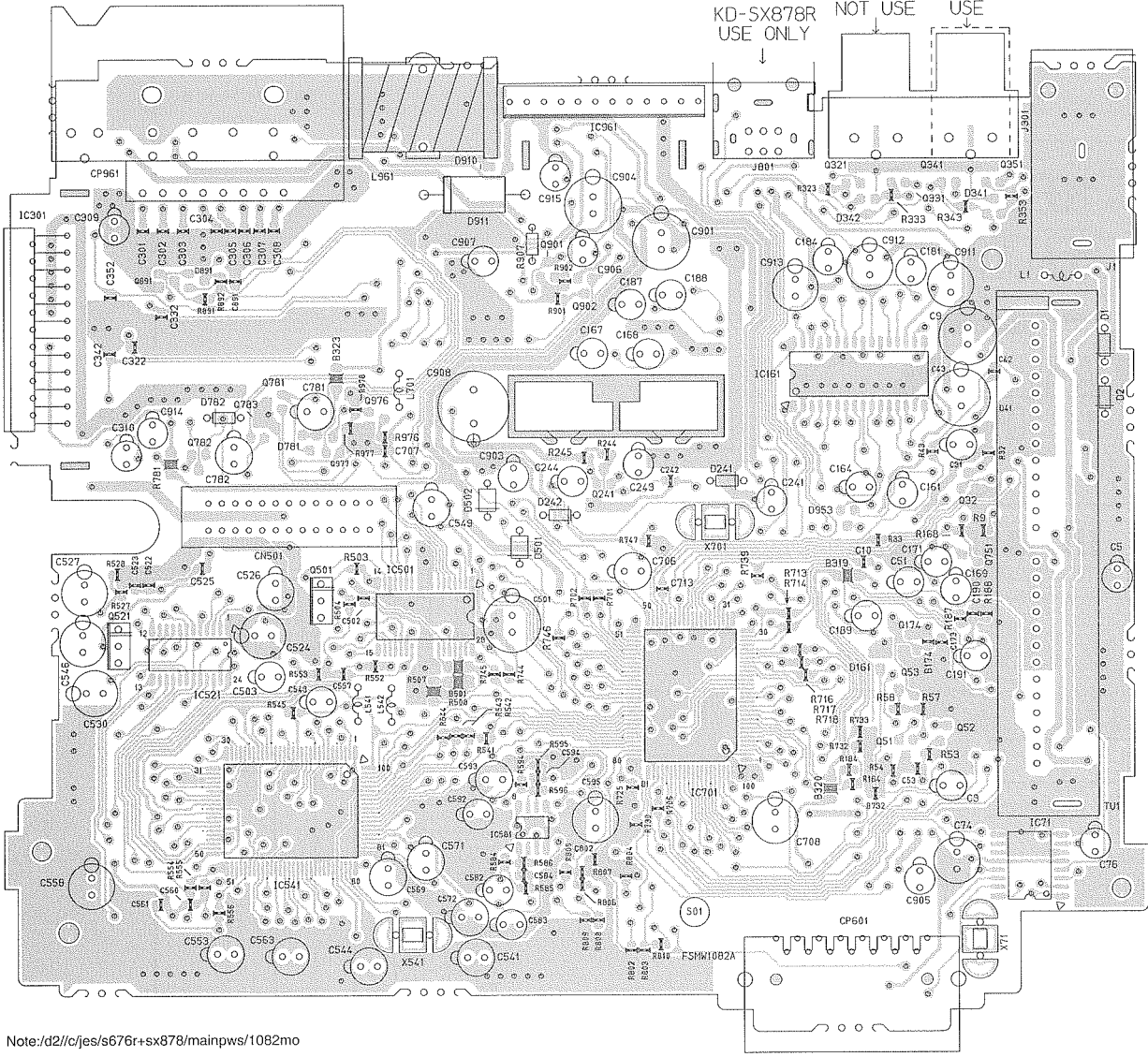
5

4

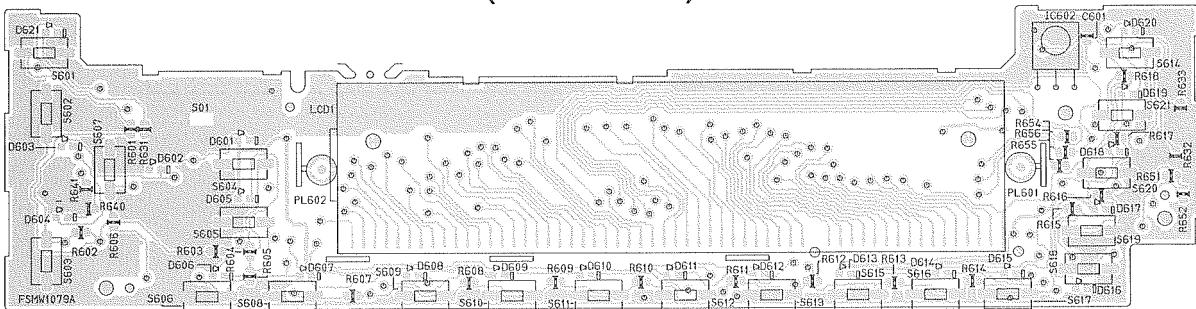
3

2

1



■ Front board
 (Forward side)



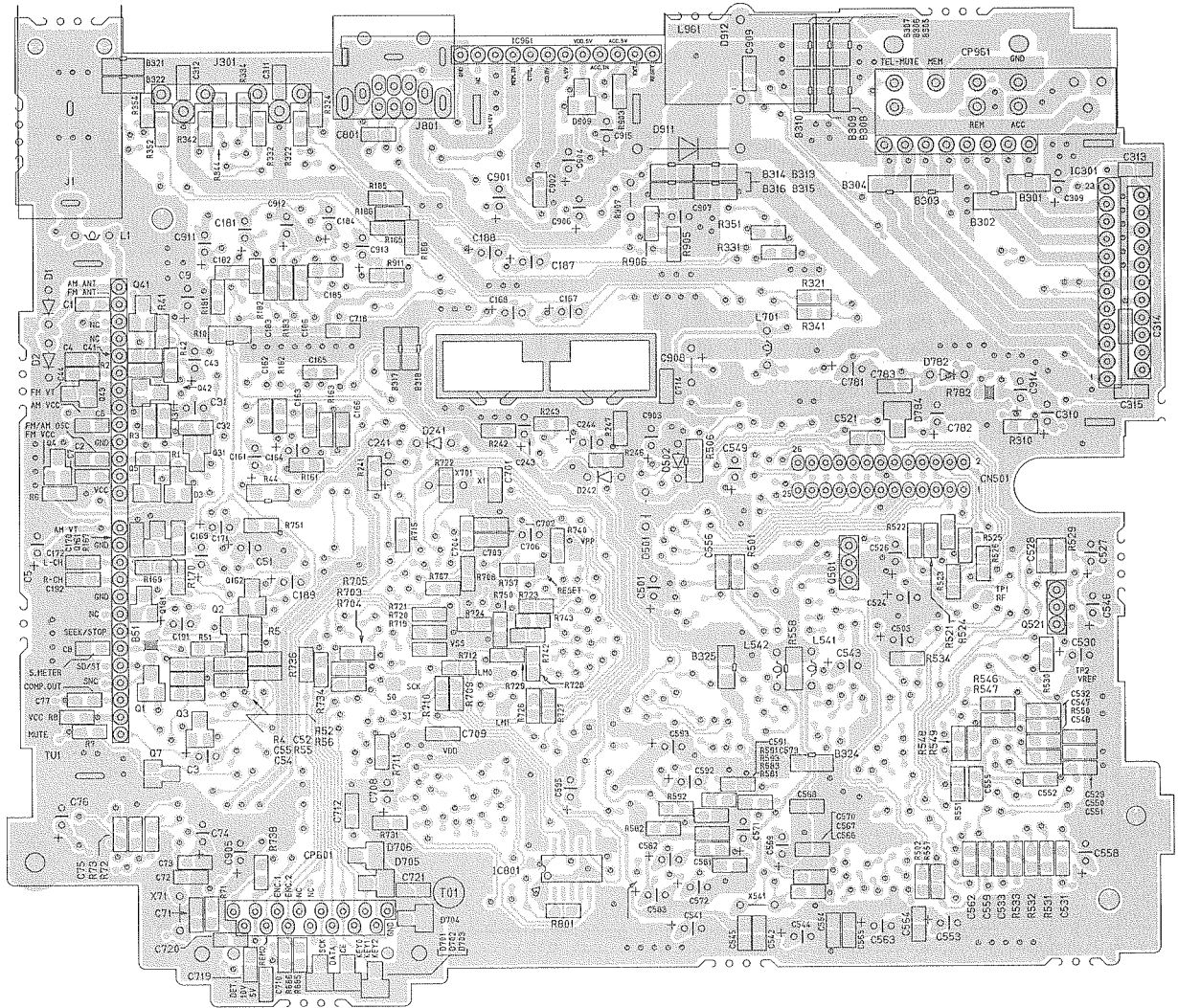
A

B

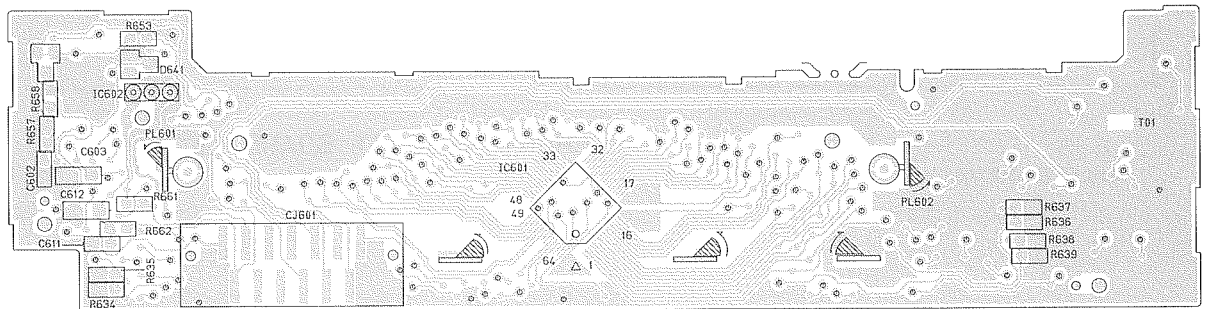
C

D

■ Main board
(Reverse side)



■ Front board
(Reverse side)



Note:/d2/c/jes/s676r+sx878r/switchpws/1079mo

PARTS LIST

[KD-SX878R]
[KD-S777R]

* All printed circuit boards and its assemblies are not available as service parts.

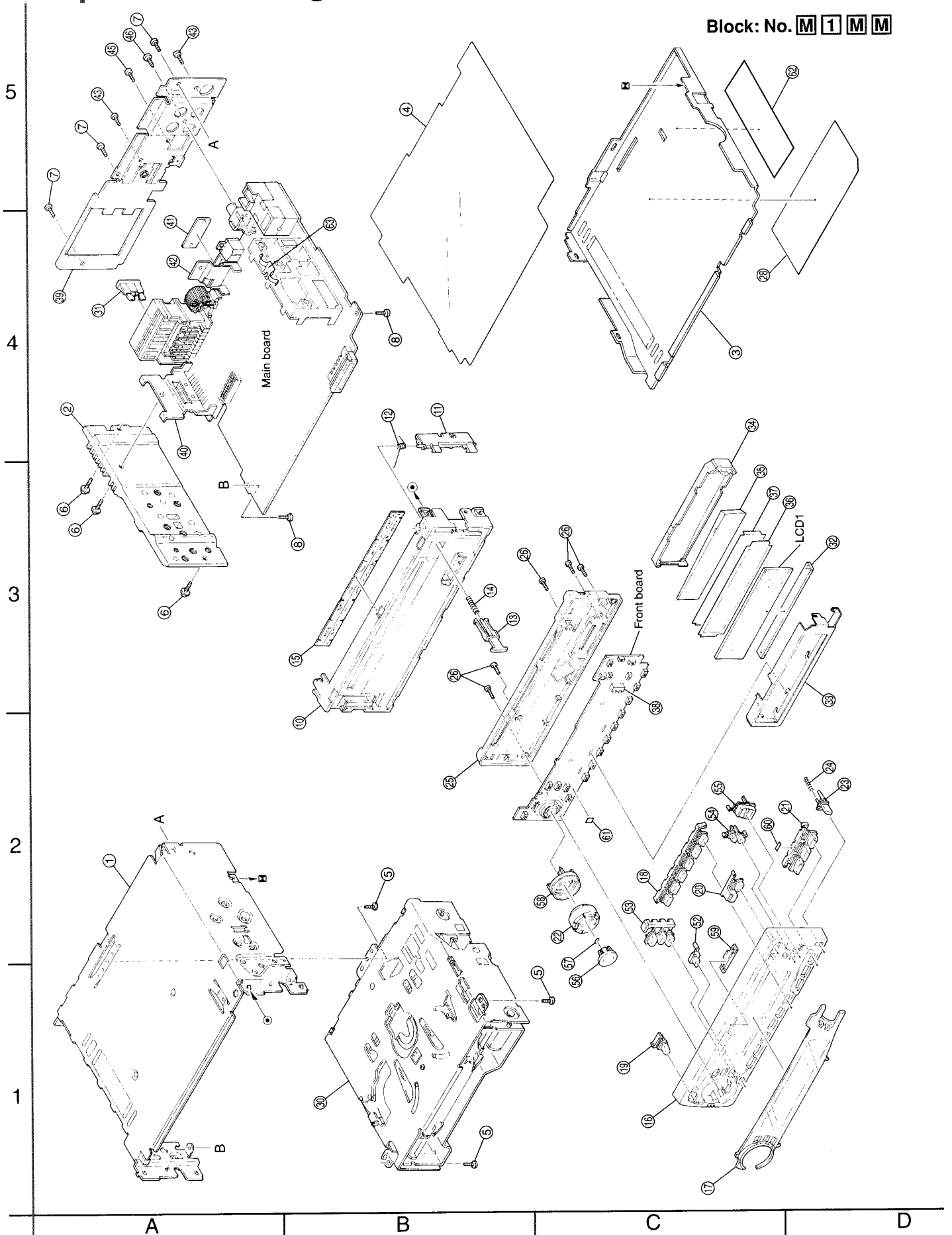
Area Suffix
E Continental Europe

- Contents -

Exploded view of general assembly and parts list ----- 3 - 2
CD mechanism assembly and parts list ----- 3 - 4
Electrical parts list ----- 3 - 7
Packing materials and accessories parts list ----- 3 - 12

KD-SX878R
KD-S777R

Exploded view of general assembly and parts list



Block: No. **M** **1** **M** **M**

■Parts list (General assembly)

Block No. M1MM

△	Item	Parts number	Parts name	Q'ty	Description	Area
	1	FSJC1029-024	TOP CHASSIS	1		
	2	FSMH3001-002	HEAT SINK	1		
	3	FSKM3011-002	BOTTOM COVER	1		
	4	FSMA3004-003	INSULATOR	1		
	5	QYSDST2604Z	SCREW	3	CHASSIS+MECHA B	
	6	FSKZ4005-001	SCREW	3		
	7	QYSDST2606Z	SCREW	3	CHASSIS+REAR BK	
	8	QYSDST2606Z	SCREW	2	CHASSIS+MAIN PW	
	10	FSJC2013-002	FRONT CHASSIS	1		
	11	FSKS3010-001	LOCK LEVER	1		
	12	FSKW4005-003	TORSION SPRING	1	FOR LOCK LEVEL	
	13	FSXP3026-002	RLS KNOB	1		
	14	FSKW3002-015	COMP.SPRING	1		
	15	FSPK3009-001	BLIND	1		
	16	FSJC1048-001	FRONT PANEL	1		
	17	FSJD3019-00C	FINDER ASSY	1	KD-SX878R	
		FSJD3019-00D	FINDER LENS	1	KD-S777R	
	18	FSXP2045-002	PRESET BUTTON	1	1-6	
	19	FSXP3053-002	POWER BUTTON	1		
	20	FSXP3064-001	EJECT BUTTON	1		
	21	FSXP2038-002	FUNCTION CAP	1	KD-SX878R	
		FSXP2038-003	FUNCTION CAP	1	KD-S777R	
	22	FSXK3003-005	VOL.KNOB	1	JOG DIAL	
	23	FSXP3063-001	DETACH BUTTON	1		
	24	FSKW3002-012	COMP. SPRING	1	FOR DETACH BUTT	
	25	FSJC1049-001	REAR COVER	1		
	26	VKZ4777-001	MINI SCREW	5	FRONT+REAR	
	28	FSYN3117-005	NAME PLATE	1	KD-SX878R	
		FSYN3116-005	NAME PLATE	1	KD-S777R	
	30	-----	CD MECHA	1	TN-CCD1001Z	
	31	QMFZ021-100-J1	FUSE	1		
	32	QNZ0442-001	RUBBER CONNE	1		
	33	FSYH3020-001	LCD CASE	1		
	34	FSKS3019-001	LENS CASE	1		
	35	FSJK3025-001	LCD LENS	1	WITH SILK SCREE	
	36	FSYH4074-001	LIGHTING SHEET	1		
	37	FSYH4079-001	LIGHTING SHEET	1		
	38	FSKS3016-002	LED HOLDER	1		
	39	FSKM3012-012	REAR BRACKET	1	KD-S777R	
		FSKM3012-011	REAR BRACKET	1	KD-SX878R	
	40	FSKL4018-00B	IC BRACKET	1		
	41	FSKL4014-002	HEAT SINK	1	0.2MM THICKER	
	42	FSKL4015-002	REG BRACKET	1		
	43	QYSDST2606Z	SCREW	2		
	45	QYSDST2606Z	SCREW	1	KD-SX878R	
	46	QYSDSF3006Z	SCREW	1	FOR LINE OUT	
	52	FSXP4006-001	SCM BUTTON	1	SCM	
	53	FSXP2041-003	PUSH BUTTON(L)	1	DISP.TP.PTY	
	54	FSXP3062-001	PUSH BUTTON(R)	1	MO/RND.RPT	
	55	FSXP2043-001	UP DOWN BUTTON	1	UP/DOWN	
	56	FSXP3061-001	SEL BUTTON	1		
	57	FSYH4036-032	SHEET	1	SEL BTN	
	58	FSJK3027-001	RIM LENS	1		
	59	FSJK3026-001	CD LENS	1		
	60	FSYH4036-053	FELT SPACER	1		
	61	FSYH4036-052	FELT SPACER	1		
	62	E406709-001	CAUTION LABEL	1		
	63	VMA4652-001SS	EARTH PLATE	1		
	LCD 1	QLD0105-001	LCD MODULE	1		

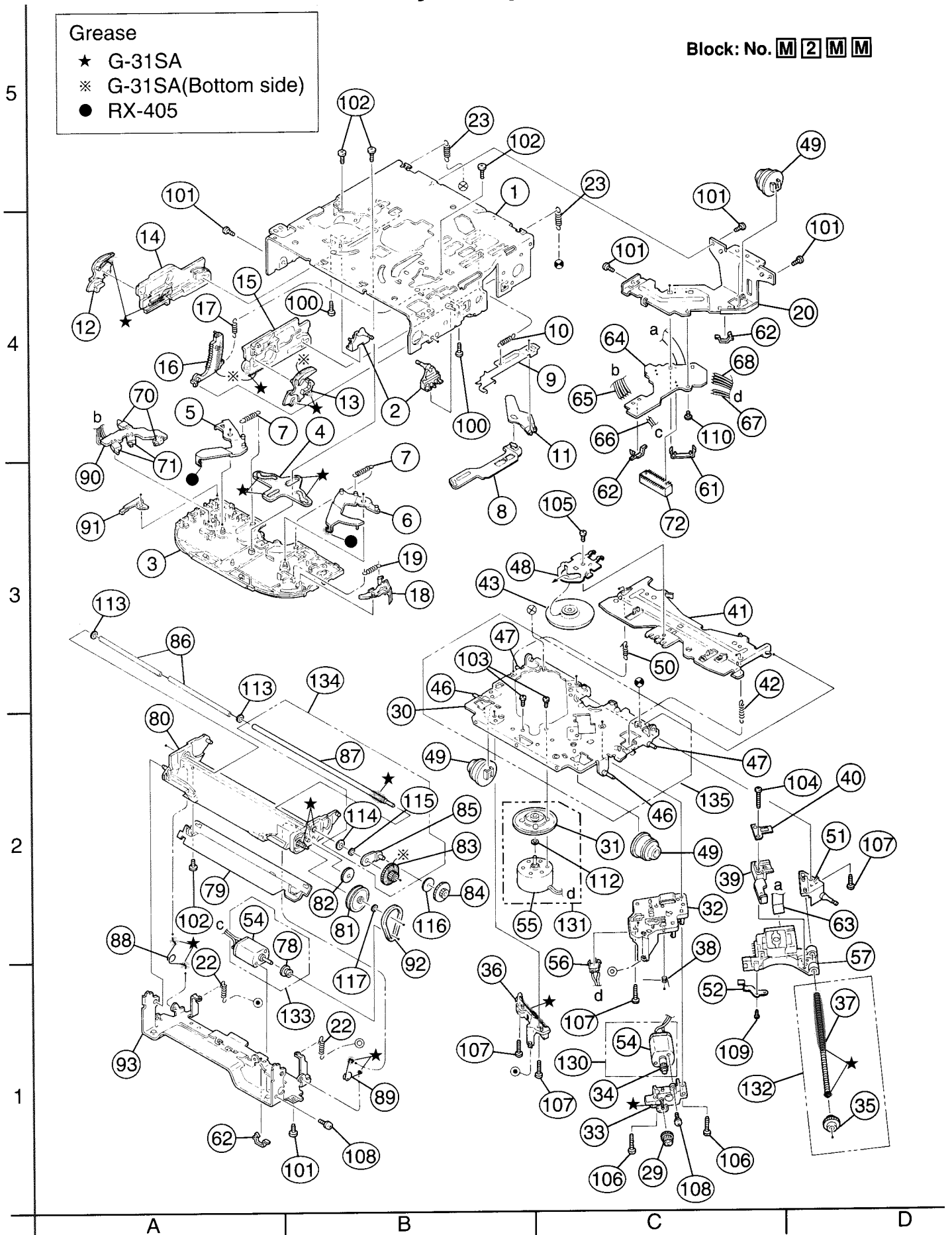
KD-SX878R
 KD-S777R

CD mechanism assembly and parts list

Grease

- ★ G-31SA
- ※ G-31SA(Bottom side)
- RX-405

Block: No. **M 2 M M**



■Parts list (CD mechanism)

Block No. M2MM

△	Item	Parts number	Parts name	Q'ty	Description	Area
	1	30310101T	FRAME	1		
	2	30310103T	DANPER PIN	2		
	3	30310107T	UPPER PLATE	1		
	4	30310108T	SEL STOP PLATE	1		
	5	30310142T	SEL ARM (L)L	1		
	6	30310143T	SEL ARM (R)L	1		
	7	30310145T	S ARM SPRING(L)	2		
	8	30310112T	TRIG LEVER	1		
	9	30310155T	TRIG PL(Z)	1		
	10	30310115T	TRIG PL SPRING	1		
	11	30310116T	TRIG ARM	1		
	12	30310134T	FIX ARM (L)B	1		
	13	30310159T	FIX ARM (R)Z	1		
	14	30310150T	FIX PL (L)Z	1		
	15	30310156T	FIX PL (R) Z	1		
	16	30310138T	LDG GR (6)B	1		
	17	30310122T	LDG GEAR (6)SP	1		
	18	30310148T	S.L ARM(N)	1		
	19	30310125T	S.L ARM SPRING	1		
	20	30310149T	REAR DAM BKT(Z)	1		
	22	30310151T	HUNG UP SP (FZ)	2		
	23	30310129T	HUNG UP SP (R)	2		
	29	30300510T	PU GEAR(B)	1		
	30	-----	T.T.BASE(Z)	1		
	31	-----	TURN TABLE(Z)	1		
	32	30310544T	F.M.BASE(Z)	1		
	33	30310547T	FD GR BLK(Z)	1		
	34	-----	FD GR AZ	1		
	35	-----	FD GR CZ	1		
	36	30310546T	PU GUIDE(Z)	1		
	37	-----	FD SCREW(Z)	1		
	38	30310533T	THRUST SPR(M)	1		
	39	30310548T	PU M NUT(Z)	1		
	40	30310512T	NUT PUSH SPR PL	1		
	41	30310558T	CLP ARM(Z)	1		
	42	30310514T	CLP ARM SPRING	1		
	43	30310552T	CLAMPER(Z)	1		
	46	-----	LOCK PIN(FZ)	2		
	47	-----	LOCK PIN(RZ)	2		
	48	30310557T	CLAMPER PLATE(Z)	1		
	49	30310524T	DAMPER (J)	3		
	50	30310525T	CLP ARM SPR (L)	1		
	51	30310545T	F SCREW GUIDE(Z)	1		
	52	30310556T	PU G.SP PLT(Z)	1		
	54	-----	FEED MOTOR	2	FF030PK-09210	
	55	-----	SPINDLE MOTOR	1	RF300CA-11440D	
	56	64180405T	DET SW	1	ESE11SF4	
	57	OPTIMA-720L1	C.D PICK (CAR)	1		

KD-SX878R
 KD-S777R

■Parts list (CD mechanism)

Block No. M2MM

△	Item	Parts number	Parts name	Q'ty	Description	Area
	61	30311035T	FPC HOLDER(Z)	1		
	62	19501403T	WIRE CLAMPER	3		
	63	30311037T	PICK UP FPC(Z)	1		
	64	30311036T	CONNECT.PCB(Z-J)	1		
	65	30311038T	WIRE (5P-Z)	1		
	66	30311039T	WIRE (LD-Z)	1		
	67	30311040T	WIRE (FD-Z)	1		
	68	30311041T	WIRE (RS-Z)	1		
	70	64180402T	DET SWITCH	2	ESE22MH1	
	71	64180403T	DET SWITCH	2	ESE22MH3	
	72	68150232T	CONNECTOR	1	TKC-W26X-C1	
	78	-----	LDG PULLEY	1		
	79	30311105T	SOPPORT PLATE	1		
	80	30311138T	GR MT BLK(N)	1		
	81	30311109T	LDG GEAR (2)	1		
	82	30311110T	LDG GEAR (3)	1		
	83	-----	LDG GEAR (4)	1		
	84	30311112T	LDG GEAR (5)	1		
	85	-----	LDG GR ARM	1		
	86	30311136T	LDG ROLLER	2		
	87	-----	LDG RLR SHAFT	1		
	88	30311118T	L.P SPRING (L)	1		
	89	30311119T	L.P SPRING (R)	1		
	90	30311123T	SW PCB	1		
	91	30311124T	SW ACTUATOR	1		
	92	30311129T	LDG BELT	1		
	93	30311140T	FRONT BRKT (J)	1		
	100	9C0620503T	C B TAP SCREW	2	M2X5	
	101	9C2020401T	C SCREW TS.G	5	M2X4	
	102	9C4320403T	C B TAP SCREW	4	M2X4	
	103	9C0117223T	SCREW	2	M1.7X2.2	
	104	9C4217703T	C TAP SCREW S3	1	M1.7X7	
	105	9C0320201T	C TAP SCREW S3	1	M2X2	
	106	9C4920013T	C TAP SCREW S3	2	M2X10	
	107	9C4920603T	C TAP SCREW B3	4	M2X6	
	108	9P0220031T	TAMS SCREW	2	M2X3	
	109	9C0314203T	C TAP SCREW	1	M1.4X2	
	110	9C0420253	C TAP SCREW	1	M2X2.5	
	112	-----	POLY WASHER	1	2.1X3.5X0.3	
	113	9W0330276	NW BLUE	2	2.9X5X0.3	
	114	-----	WAVE WASHER	1		
	115	-----	LUMILAR WASHER	1	2.5X6X0.1	
	116	9W0725030T	LUMILAR WASHER	1	2.3X9.8X0.25	
	117	9W0640030T	WASHER	1	1.4X3.2X0.4	
	130	303105310T	FEED MO ASSY	1	NO.34,54	
	131	303105311T	SPINDLE MO ASSY	1	NO.31,55,112	
	132	303105312T	FEED SCREW ASSY	1	NO.35,37	
	133	303111301T	LDG MOTOR ASSY	1	NO.54,78	
	134	303111302T	ROLLER SHAFT	1	NO.83,85,87	
		303111302T	ROLLER SHAFT	1	NO.114,115	
	135	303105502T	T.T.BASE ASSY	1	NO.30,46,47	

Electrical parts list

KD-SX878R
KD-S777R

■ Main board Block No. 01

△	Item	Parts number	Parts name	Remarks	Area
	C 1	NDC21HJ-5R0X	C CAPACITOR		
	C 2	NDC21HJ-100X	C CAPACITOR		
	C 3	QERF1HM-104Z	E CAPACITOR	10MF 20% 50V	
	C 4	NCS21HJ-221X	C CAPACITOR		
	C 5	QERF1HM-474Z	E CAPACITOR	47MF 20% 50V	
	C 6	NCB21EK-473X	C CAPACITOR		
	C 7	NCS21HJ-101X	C CAPACITOR		
	C 9	QER41AM-227	E CAPACITOR	220MF 20% 10V	
	C 10	NCB21HK-102X	C CAPACITOR		
	C 31	QERF1HM-225Z	E CAPACITOR	2.2MF 20% 50V	
	C 32	NCB21HK-102X	C CAPACITOR		
	C 41	NCB21HK-333X	C CAPACITOR		
	C 42	NCB21HK-822X	C CAPACITOR		
	C 43	QERF1CM-107Z	E CAPACITOR	100MF 20% 16V	
	C 44	NCB21HK-103X	C CAPACITOR		
	C 51	QERF1HM-474Z	E CAPACITOR	47MF 20% 50V	
	C 52	NCB21HK-472X	C CAPACITOR		
	C 53	NCB21EK-104X	C CAPACITOR		
	C 54	NCB21HK-103X	C CAPACITOR		
	C 55	NCB21HK-331X	C CAPACITOR		
	C 71	NDC21HJ-820X	C CAPACITOR		
	C 72	NDC21HJ-470X	C CAPACITOR		
	C 73	NCB21HK-103X	C CAPACITOR		
	C 74	QERF1AM-476Z	E CAPACITOR	47MF 20% 10V	
	C 75	NCS21HJ-561X	C CAPACITOR		
	C 76	QEKJ1HM-225Z	E CAPACITOR	2.2MF 20% 50V	
	C 77	NCB21EK-223X	C CAPACITOR		
	C 161	QEKJ1HM-105Z	E CAPACITOR	1.0MF 20% 50V	
	C 162	NCB21HK-822X	C CAPACITOR		
	C 163	NCB21CK-154X	C CAPACITOR		
	C 164	QEKJ1HM-224Z	E CAPACITOR	22MF 20% 50V	
	C 165	NCB21HK-333X	C CAPACITOR		
	C 166	NCB21HK-562X	C CAPACITOR		
	C 167	QERF1HM-225Z	E CAPACITOR	2.2MF 20% 50V	
	C 168	QERF1HM-225Z	E CAPACITOR	2.2MF 20% 50V	
	C 169	QER41HM-105	E CAPACITOR	1.0MF 20% 50V	
	C 171	QER41HM-105	E CAPACITOR	1.0MF 20% 50V	
	C 172	NCB21HK-183X	C CAPACITOR		
	C 173	NCB21EK-104X	C CAPACITOR		
	C 181	QEKJ1HM-105Z	E CAPACITOR	1.0MF 20% 50V	
	C 182	NCB21HK-822X	C CAPACITOR		
	C 183	NCB21CK-154X	C CAPACITOR		
	C 184	QEKJ1HM-224Z	E CAPACITOR	22MF 20% 50V	
	C 185	NCB21HK-333X	C CAPACITOR		
	C 186	NCB21HK-562X	C CAPACITOR		
	C 187	QERF1HM-225Z	E CAPACITOR	2.2MF 20% 50V	
	C 188	QERF1HM-225Z	E CAPACITOR	2.2MF 20% 50V	
	C 189	QER41HM-105	E CAPACITOR	1.0MF 20% 50V	
	C 191	QER41HM-105	E CAPACITOR	1.0MF 20% 50V	
	C 192	NCB21HK-183X	C CAPACITOR		
	C 241	QEKJ1HM-224Z	E CAPACITOR	22MF 20% 50V	
	C 242	NCB21EK-473X	C CAPACITOR		
	C 243	QEKJ1CM-226Z	E CAPACITOR	22MF 20% 16V	
	C 244	QEKJ1HM-105Z	E CAPACITOR	1.0MF 20% 50V	
	C 309	QER41CM-106	E CAPACITOR	10MF 20% 16V	
	C 310	QER41CM-106	E CAPACITOR	10MF 20% 16V	
	C 312	NCB21EK-473X	C CAPACITOR		
	C 313	NCB21EK-104X	C CAPACITOR		
	C 314	NCB21EK-104X	C CAPACITOR		
	C 315	NCB21EK-104X	C CAPACITOR		
	C 322	NCS21HJ-391X	C CAPACITOR		
	C 332	NCS21HJ-391X	C CAPACITOR		
	C 342	NCS21HJ-391X	C CAPACITOR		

△	Item	Parts number	Parts name	Remarks	Area
	C 352	NCS21HJ-391X	C CAPACITOR		
	C 501	QER41AM-227	E CAPACITOR	220MF 20% 10V	
	C 502	NCB21HK-103X	C CAPACITOR		
	C 503	QEKJ1CM-226Z	E CAPACITOR	22MF 20% 16V	
	C 521	NCB21HK-103X	C CAPACITOR		
	C 522	NCB21HK-103X	C CAPACITOR		
	C 523	NCB21EK-103X	C CAPACITOR		
	C 524	QER41AM-107	E CAPACITOR	100MF 20% 10V	
	C 525	NCB21HK-103X	C CAPACITOR		
	C 526	QEKJ0JM-107Z	E CAPACITOR	100MF 20% 6.3V	
	C 527	QEKJ0JM-107Z	E CAPACITOR	100MF 20% 6.3V	
	C 528	NCS21HJ-101X	C CAPACITOR		
	C 529	NCB21HK-103X	C CAPACITOR		
	C 530	QEKJ0JM-107Z	E CAPACITOR	100MF 20% 6.3V	
	C 531	NCB21EK-104X	C CAPACITOR		
	C 532	NCB21EK-104X	C CAPACITOR		
	C 533	NCS21HJ-560X	C CAPACITOR		
	C 541	QEKJ0JM-107Z	E CAPACITOR	100MF 20% 6.3V	
	C 542	NCB21HK-103X	C CAPACITOR		
	C 543	QEKJ1HM-105Z	E CAPACITOR	1.0MF 20% 50V	
	C 544	QEKJ0JM-107Z	E CAPACITOR	100MF 20% 6.3V	
	C 545	NCB21HK-103X	C CAPACITOR		
	C 546	QEKJ0JM-107Z	E CAPACITOR	100MF 20% 6.3V	
	C 547	NDC21HJ-470X	C CAPACITOR		
	C 548	NCB21HK-153X	C CAPACITOR		
	C 549	QEKJ0JM-107Z	E CAPACITOR	100MF 20% 6.3V	
	C 550	NCB21HK-103X	C CAPACITOR		
	C 551	NCB21HK-272X	C CAPACITOR		
	C 552	NCB21HK-103X	C CAPACITOR		
	C 553	QEKJ0JM-107Z	E CAPACITOR	100MF 20% 6.3V	
	C 554	NCB21HK-103X	C CAPACITOR		
	C 555	NCB21EK-333X	C CAPACITOR		
	C 556	NCB21HK-332X	C CAPACITOR		
	C 557	NCS21HJ-561X	C CAPACITOR		
	C 558	QEKJ0JM-107Z	E CAPACITOR	100MF 20% 6.3V	
	C 559	NCB21HK-473X	C CAPACITOR		
	C 560	NCB21HK-473X	C CAPACITOR		
	C 561	NCB21HK-473X	C CAPACITOR		
	C 562	NCB21HK-473X	C CAPACITOR		
	C 563	QEKJ0JM-107Z	E CAPACITOR	100MF 20% 6.3V	
	C 564	NCB21HK-103X	C CAPACITOR		
	C 565	NCB21HK-103X	C CAPACITOR		
	C 566	NDC21HJ-100X	C CAPACITOR		
	C 567	NDC21HJ-100X	C CAPACITOR		
	C 568	NCB21HK-103X	C CAPACITOR		
	C 569	QEKJ0JM-107Z	E CAPACITOR	100MF 20% 6.3V	
	C 570	NCS21HJ-101X	C CAPACITOR		
	C 571	QEKJ0JM-107Z	E CAPACITOR	100MF 20% 6.3V	
	C 572	QEKJ0JM-107Z	E CAPACITOR	100MF 20% 6.3V	
	C 573	NCB21HK-103X	C CAPACITOR		
	C 581	NCS21HJ-821X	C CAPACITOR		
	C 582	QEK41EM-475	E CAPACITOR	4.7MF 20% 25V	
	C 583	QEKJ0JM-476Z	E CAPACITOR	47MF 20% 6.3V	
	C 584	NCS21HJ-121X	C CAPACITOR		
	C 591	NCS21HJ-821X	C CAPACITOR		
	C 592	QEK41EM-475	E CAPACITOR	4.7MF 20% 25V	
	C 593	QEKJ0JM-476Z	E CAPACITOR	47MF 20% 6.3V	
	C 594	NCS21HJ-121X	C CAPACITOR		
	C 595	QEKJ1AM-107Z	E CAPACITOR	100MF 20% 10V	
	C 701	NDC21HJ-270X	C CAPACITOR		
	C 702	NDC21HJ-270X	C CAPACITOR		
	C 703	NCB21EK-104X	C CAPACITOR		
	C 704	NCB21EK-104X	C CAPACITOR		

KD-SX878R
KD-S777R

■ Main board

Block No. 01

△	Item	Parts number	Parts name	Remarks	Area
	C 706	QEKJ0JM-107Z	E CAPACITOR	100MF 20% 6.3V	
	C 707	NCB21HK-103X	C CAPACITOR		
	C 708	QERF0JM-107Z	E CAPACITOR	100MF 20% 6.3V	
	C 709	NCB21HK-103X	C CAPACITOR		
	C 712	NCS21HJ-680X	C CAPACITOR		
	C 713	NCB21HK-103X	C CAPACITOR		
	C 718	NCB21HK-103X	C CAPACITOR		
	C 719	NCB21EK-104X	C CAPACITOR		
	C 720	NCB21EK-104X	C CAPACITOR		
	C 721	NCB21EK-104X	C CAPACITOR		
	C 781	QEKJ0JM-107Z	E CAPACITOR	100MF 20% 6.3V	
	C 782	QERF1CM-226Z	E CAPACITOR	22MF 20% 16V	
	C 783	NCB21EK-823X	C CAPACITOR		
	C 801	NCB21HK-103X	C CAPACITOR	KD-SX878R	
	C 802	NCB21EK-473X	C CAPACITOR	KD-SX878R	
	C 891	NCB21EK-473X	C CAPACITOR		
	C 901	QER41AM-227	E CAPACITOR	220MF 20% 10V	
	C 902	NCB21HK-103X	C CAPACITOR		
	C 903	QEKJ1CM-226Z	E CAPACITOR	22MF 20% 16V	
	C 904	QER41AM-227	E CAPACITOR	220MF 20% 10V	
	C 905	QER41CM-106	E CAPACITOR	10MF 20% 16V	
	C 906	QER41CM-106	E CAPACITOR	10MF 20% 16V	
	C 907	QERF1HM-225Z	E CAPACITOR	2.2MF 20% 50V	
	C 908	QEZO338-228	E CAPACITOR	2200MF	
	C 909	NCB21EK-104X	C CAPACITOR		
	C 911	QERF1AM-476Z	E CAPACITOR	47MF 20% 10V	
	C 912	QER41AM-107	E CAPACITOR	100MF 20% 10V	
	C 913	QEKJ1CM-107Z	E CAPACITOR	100MF 20% 16V	
	C 914	QERF1EM-475Z	E CAPACITOR	4.7MF 20% 25V	
	C 915	QER41CM-106	E CAPACITOR	10MF 20% 16V	
	CN501	QGB2027M1-26S	CONNECTOR		
	CP601	VMC0334-001	CONNECTOR	F.PANEL CONN.	
	CP961	QNZ0112-001	CAR CONNECTOR		
	D 1	1SS133-T1	SI DIODE I/M		
	D 2	1SS133-T1	SI DIODE I/M		
	D 3	MA152WK-X	SI DIODE		
	D 161	MA152WK-X	SI DIODE		
	D 241	1SS133-T1	SI DIODE I/M		
	D 242	1SS133-T1	SI DIODE I/M		
	D 341	MA152WA-X	DIODE		
	D 501	DSK10C-T1	DIODE		
	D 502	DSK10C-T1	DIODE		
	D 701	MA3056/M/-X	ZENER DIODE		
	D 702	MA3056/M/-X	ZENER DIODE		
	D 703	MA3056/M/-X	ZENER DIODE		
	D 704	MA3056/M/-X	ZENER DIODE		
	D 705	MA3056/M/-X	ZENER DIODE		
	D 706	MA3056/M/-X	ZENER DIODE		
	D 781	MA152WK-X	SI DIODE		
	D 782	1SS133-T1	SI DIODE I/M		
	D 784	MA3110/M/-X	ZENER DIODE		
	D 891	MA152WA-X	DIODE		
	D 909	MA152WA-X	DIODE		
	D 910	CRS03-W	SB DIODE		
	D 911	1N5401-TU-15	DIODE		
	D 912	CRS03-W	SB DIODE		
	D 953	MA152WK-X	SI DIODE		
	IC 71	SAA6579T-X	IC		
	IC161	TEA6320T-X	IC		
	IC301	HA13158A	IC		
	IC501	LA6557-X	IC		
	IC521	TA2109F-X	IC		
	IC541	TC9462F	IC		

△	Item	Parts number	Parts name	Remarks	Area
	IC581	NJM4565M-WE	IC		
	IC701	UPD178078GF-524	IC	KD-SX878R	
	IC701	UPD178078GF-522	IC(MICRO-COMP)	KD-S777R	
	IC801	HD74HC126FP-X	IC	KD-SX878R	
	IC961	BA4905-V3	IC		
	J 1	QNZ0009-001	CAR ANT JACK		
	J 301	QNN0170-001	PIN JACK (REEL)		
	J 801	QNZ0095-001	CONNECTOR	KD-SX878R	
	L 1	QQL244J-4R7Z	INDUCTOR		
	L 541	QQL244J-4R7Z	INDUCTOR		
	L 542	QQL244J-4R7Z	INDUCTOR		
	L 701	QQL244J-4R7Z	INDUCTOR		
	L 961	QQR0703-001	CHOKE COIL		
	Q 1	UN2211-X	TRANSISTOR		
	Q 2	2SD601A/R/-X	TRANSISTOR		
	Q 3	UN2111-X	TRANSISTOR		
	Q 4	2SB709A/R/-X	TRANSISTOR		
	Q 5	2SB8157/-X	TRANSISTOR		
	Q 7	UN2211-X	TRANSISTOR		
	Q 31	2SD601A/R/-X	TRANSISTOR		
	Q 32	2SD601A/R/-X	TRANSISTOR		
	Q 41	2SD601A/R/-X	TRANSISTOR		
	Q 42	2SC3661-X	TRANSISTOR		
	Q 43	UN2211-X	TRANSISTOR		
	Q 51	2SD601A/R/-X	TRANSISTOR		
	Q 52	2SD601A/R/-X	TRANSISTOR		
	Q 53	UN2211-X	TRANSISTOR		
	Q 161	2SD601A/R/-X	TRANSISTOR		
	Q 162	UN2111-X	TRANSISTOR		
	Q 174	UN2111-X	TRANSISTOR		
	Q 181	2SD601A/R/-X	TRANSISTOR		
	Q 241	2SD601A/R/-X	TRANSISTOR		
	Q 341	2SD1048/6-7/-X	TRANSISTOR		
	Q 351	2SD1048/6-7/-X	TRANSISTOR		
	Q 501	2SB1322/RS/-T	TRANSISTOR		
	Q 521	2SB1322/RS/-T	TRANSISTOR		
	Q 781	UN2111-X	TRANSISTOR		
	Q 782	UN2211-X	TRANSISTOR		
	Q 783	UN2111-X	TRANSISTOR		
	Q 891	UN2211-X	TRANSISTOR		
	Q 901	2SB709A/R/-X	TRANSISTOR		
	Q 902	UN2213-X	TRANSISTOR		
	Q 976	UN2211-X	TRANSISTOR		
	Q 977	2SB709A/R/-X	TRANSISTOR		
	R 1	NRSA02J-0R0X	MG RESISTOR		
	R 2	NRSA02J-102X	MG RESISTOR		
	R 3	NRSA02J-102X	MG RESISTOR		
	R 4	NRSA02J-223X	MG RESISTOR		
	R 5	NRSA02J-472X	MG RESISTOR		
	R 6	NRSA02J-473X	MG RESISTOR		
	R 7	NRSA02J-472X	MG RESISTOR		
	R 8	NRSA02J-473X	MG RESISTOR		
	R 9	NRSA02J-332X	MG RESISTOR		
	R 10	NRS181J-8R2X	MG RESISTOR		
	R 31	NRSA02J-102X	MG RESISTOR		
	R 32	NRSA02J-103X	MG RESISTOR		
	R 33	NRSA02J-152X	MG RESISTOR		
	R 41	NRSA02J-332X	MG RESISTOR		
	R 42	NRSA02J-102X	MG RESISTOR		
	R 43	NRSA02J-102X	MG RESISTOR		
	R 44	NRS181J-330X	MG RESISTOR		
	R 51	NRSA02J-471X	MG RESISTOR		
	R 52	NRSA02J-153X	MG RESISTOR		
	R 53	NRSA02J-103X	MG RESISTOR		

■ Main board

Block No. 01

△	Item	Parts number	Parts name	Remarks	Area
	R 54	NRSA02J-103X	MG RESISTOR		
	R 55	NRSA02J-222X	MG RESISTOR		
	R 56	NRSA02J-473X	MG RESISTOR		
	R 57	NRSA02J-473X	MG RESISTOR		
	R 58	NRSA02J-473X	MG RESISTOR		
	R 71	NRSA02J-222X	MG RESISTOR		
	R 72	NRSA02J-222X	MG RESISTOR		
	R 73	NRSA02J-222X	MG RESISTOR		
	R 161	NRSA02J-224X	MG RESISTOR		
	R 162	NRSA02J-223X	MG RESISTOR		
	R 163	NRSA02J-222X	MG RESISTOR		
	R 164	NRSA02J-332X	MG RESISTOR		
	R 165	NRSA02J-473X	MG RESISTOR		
	R 166	NRSA02J-473X	MG RESISTOR		
	R 167	NRSA02J-103X	MG RESISTOR		
	R 168	NRSA02J-223X	MG RESISTOR		
	R 169	NRSA02J-472X	MG RESISTOR		
	R 170	NRSA02J-472X	MG RESISTOR		
	R 181	NRSA02J-224X	MG RESISTOR		
	R 182	NRSA02J-223X	MG RESISTOR		
	R 183	NRSA02J-222X	MG RESISTOR		
	R 184	NRSA02J-332X	MG RESISTOR		
	R 185	NRSA02J-473X	MG RESISTOR		
	R 186	NRSA02J-473X	MG RESISTOR		
	R 187	NRSA02J-103X	MG RESISTOR		
	R 188	NRSA02J-223X	MG RESISTOR		
	R 241	NRSA02J-823X	MG RESISTOR		
	R 242	NRSA02J-102X	MG RESISTOR		
	R 243	NRSA02J-101X	MG RESISTOR		
	R 244	NRSA02J-123X	MG RESISTOR		
	R 245	NRSA02J-184X	MG RESISTOR		
	R 246	NRSA02J-223X	MG RESISTOR		
	R 247	NRSA02J-473X	MG RESISTOR		
	R 310	NRSA02J-472X	MG RESISTOR		
	R 321	NRSA02J-273X	MG RESISTOR		
	R 331	NRSA02J-273X	MG RESISTOR		
	R 341	NRSA02J-273X	MG RESISTOR		
	R 342	NRSA02J-102X	MG RESISTOR		
	R 343	NRSA02J-222X	MG RESISTOR		
	R 344	NRSA02J-101X	MG RESISTOR		
	R 351	NRSA02J-273X	MG RESISTOR		
	R 352	NRSA02J-102X	MG RESISTOR		
	R 353	NRSA02J-222X	MG RESISTOR		
	R 354	NRSA02J-101X	MG RESISTOR		
	R 501	NRSA02J-562X	MG RESISTOR		
	R 502	NRSA02J-562X	MG RESISTOR		
	R 503	NRSA02J-242X	MG RESISTOR		
	R 504	NRSA02J-203X	MG RESISTOR		
	R 507	NRS181J-0R0X	MG RESISTOR		
	R 521	NRSA02J-473X	MG RESISTOR		
	R 522	NRSA02J-473X	MG RESISTOR		
	R 523	NRSA02J-473X	MG RESISTOR		
	R 524	NRSA02J-473X	MG RESISTOR		
	R 525	NRSA02J-104X	MG RESISTOR		
	R 526	NRSA02J-104X	MG RESISTOR		
	R 527	NRSA02J-220X	MG RESISTOR		
	R 528	NRSA02J-220X	MG RESISTOR		
	R 529	NRSA02J-273X	MG RESISTOR		
	R 530	NRSA02J-333X	MG RESISTOR		
	R 531	NRSA02J-222X	MG RESISTOR		
	R 532	NRSA02J-153X	MG RESISTOR		
	R 533	NRSA02J-682X	MG RESISTOR		
	R 534	NRSA02J-473X	MG RESISTOR		

△	Item	Parts number	Parts name	Remarks	Area
	R 541	NRSA02J-472X	MG RESISTOR		
	R 542	NRSA02J-472X	MG RESISTOR		
	R 543	NRSA02J-472X	MG RESISTOR		
	R 544	NRSA02J-472X	MG RESISTOR		
	R 545	NRSA02J-103X	MG RESISTOR		
	R 546	NRSA02J-103X	MG RESISTOR		
	R 547	NRSA02J-473X	MG RESISTOR		
	R 548	NRSA02J-683X	MG RESISTOR		
	R 549	NRSA02J-474X	MG RESISTOR		
	R 550	NRSA02J-333X	MG RESISTOR		
	R 551	NRSA02J-103X	MG RESISTOR		
	R 552	NRSA02J-122X	MG RESISTOR		
	R 553	NRSA02J-153X	MG RESISTOR		
	R 554	NRSA02J-332X	MG RESISTOR		
	R 555	NRSA02J-332X	MG RESISTOR		
	R 556	NRSA02J-682X	MG RESISTOR		
	R 557	NRSA02J-152X	MG RESISTOR		
	R 558	NRSA02J-101X	MG RESISTOR		
	R 581	NRSA02J-243X	MG RESISTOR		
	R 582	NRSA02J-223X	MG RESISTOR		
	R 583	NRSA02J-223X	MG RESISTOR		
	R 584	NRSA02J-333X	MG RESISTOR		
	R 585	NRSA02J-123X	MG RESISTOR		
	R 586	NRSA02J-152X	MG RESISTOR		
	R 591	NRSA02J-243X	MG RESISTOR		
	R 592	NRSA02J-223X	MG RESISTOR		
	R 593	NRSA02J-223X	MG RESISTOR		
	R 594	NRSA02J-333X	MG RESISTOR		
	R 595	NRSA02J-123X	MG RESISTOR		
	R 596	NRSA02J-152X	MG RESISTOR		
	R 685	NRSA02J-103X	MG RESISTOR		
	R 686	NRSA02J-103X	MG RESISTOR		
	R 701	NRSA02J-102X	MG RESISTOR		
	R 702	NRSA02J-122X	MG RESISTOR		
	R 703	NRSA02J-222X	MG RESISTOR		
	R 704	NRSA02J-222X	MG RESISTOR		
	R 705	NRSA02J-222X	MG RESISTOR		
	R 706	NRSA02J-103X	MG RESISTOR		
	R 707	NRSA02J-473X	MG RESISTOR		
	R 708	NRSA02J-473X	MG RESISTOR		
	R 709	NRSA02J-472X	MG RESISTOR		
	R 710	NRSA02J-472X	MG RESISTOR		
	R 711	NRSA02J-472X	MG RESISTOR		
	R 712	NRSA02J-472X	MG RESISTOR		
	R 713	NRSA02J-103X	MG RESISTOR		
	R 714	NRSA02J-103X	MG RESISTOR		
	R 715	NRSA02J-103X	MG RESISTOR		
	R 716	NRSA02J-103X	MG RESISTOR		
	R 717	NRSA02J-103X	MG RESISTOR		
	R 718	NRSA02J-103X	MG RESISTOR		
	R 719	NRSA02J-472X	MG RESISTOR		
	R 720	NRSA02J-472X	MG RESISTOR		
	R 721	NRSA02J-472X	MG RESISTOR		
	R 722	NRSA02J-391X	MG RESISTOR		
	R 723	NRSA02J-104X	MG RESISTOR		
	R 724	NRSA02J-472X	MG RESISTOR	REMOCON	
	R 725	NRSA02J-104X	MG RESISTOR		
	R 726	NRSA02J-473X	MG RESISTOR		
	R 727	NRSA02J-473X	MG RESISTOR		
	R 728	NRSA02J-473X	MG RESISTOR		
	R 729	NRSA02J-473X	MG RESISTOR		
	R 730	NRSA02J-104X	MG RESISTOR		
	R 731	NRSA02J-104X	MG RESISTOR		

KD-SX878R
 KD-S777R

■ Main board

Block No. 01

△	Item	Parts number	Parts name	Remarks	Area
	R 732	NRSA02J-473X	MG RESISTOR		
	R 733	NRSA02J-473X	MG RESISTOR		
	R 734	NRSA02J-103X	MG RESISTOR		
	R 736	NRSA02J-103X	MG RESISTOR		
	R 737	NRSA02J-473X	MG RESISTOR		
	R 738	NRSA02J-103X	MG RESISTOR		
	R 739	NRSA02J-473X	MG RESISTOR		
	R 740	NRSA02J-103X	MG RESISTOR		
	R 742	NRSA02J-473X	MG RESISTOR	KD-S777R	
	R 743	NRSA02J-473X	MG RESISTOR	KD-SX878R	
	R 744	NRSA02J-222X	MG RESISTOR		
	R 745	NRSA02J-222X	MG RESISTOR		
	R 747	NRSA02J-473X	MG RESISTOR		
	R 781	NRS181J-273X	MG RESISTOR		
	R 782	NRS181J-102X	MG RESISTOR		
	R 801	NRSA02J-104X	MG RESISTOR		
	R 802	NRSA02J-104X	MG RESISTOR		
	R 803	NRSA02J-104X	MG RESISTOR		
	R 804	NRSA02J-103X	MG RESISTOR	KD-SX878R	
	R 805	NRSA02J-101X	MG RESISTOR	KD-SX878R	
	R 806	NRSA02J-223X	MG RESISTOR	KD-SX878R	
	R 807	NRSA02J-104X	MG RESISTOR		
	R 808	NRSA02J-104X	MG RESISTOR	KD-SX878R	
	R 809	NRSA02J-104X	MG RESISTOR		
	R 810	NRSA02J-101X	MG RESISTOR	KD-SX878R	
	R 891	NRSA02J-473X	MG RESISTOR		
	R 892	NRSA02J-102X	MG RESISTOR		
	R 901	NRSA02J-222X	MG RESISTOR		
	R 902	NRSA02J-473X	MG RESISTOR		
	R 903	NRSA02J-0R0X	MG RESISTOR		
	R 905	NRSA02J-472X	MG RESISTOR		
	R 906	NRSA02J-103X	MG RESISTOR		
	R 907	QRZ0125-470X	C RESISTOR	47 1/4W	
	R 911	NRSA02J-100X	MG RESISTOR		
	R 976	NRSA02J-473X	MG RESISTOR		
	R 977	NRSA02J-273X	MG RESISTOR		
	R 978	NRSA02J-123X	MG RESISTOR		
	TU 1	QAU0156-001	TUNER		
	X 71	QAX0263-001Z	CRYSTAL		
	X 541	QAX0413-001Z	CRYSTAL		
	X 701	QAX0406-001Z	CRYSTAL		

■ Front board

Block No. 02

△	Item	Parts number	Parts name	Remarks	Area
	C 672	NBE20JM-475X	TS E CAPACITOR		
	C 681	NCB21HK-223X	C CAPACITOR		
	C 682	NCB21HK-223X	C CAPACITOR		
	C 691	NCB21HK-223X	C CAPACITOR		
	C 697	NBE41DM-225X	TS E CAPACITOR		
	C 698	NCS21HJ-681X	C CAPACITOR		
	CP691	VMC0335-001	CONNECTOR		
	D 631	SML-310LT/MN/-X	LED	POWER LED	
	D 632	LNJ308G81/1-3/X	LED	R.ENC LED1	
	D 633	LNJ308G81/1-3/X	LED	R.ENC LED2	
	D 634	LNJ308G81/1-3/X	LED	R.ENC LED3	
	D 635	LNJ308G81/1-3/X	LED	R.ENC LED4	
	D 636	LNJ308G81/1-3/X	LED	R.ENC LED5	
	D 637	LNJ308G81/1-3/X	LED	SEL LED1	
	D 638	LNJ308G81/1-3/X	LED	SEL LED2	
	D 639	LNJ308G81/1-3/X	LED	SEL LED3	
	D 640	LNJ308G81/1-3/X	LED	EJECT LED	
	D 641	LNJ308G81/1-3/X	LED	F.SKIP/UP LED	
	D 642	LNJ308G81/1-3/X	LED	B.SKIP/DOWN LED	
	D 643	LNJ308G81/1-3/X	LED	MO/RND LED	
	D 644	LNJ308G81/1-3/X	LED	RPT LED	
	D 645	LNJ308G81/1-3/X	LED	CD LED	
	D 646	LNJ308G81/1-3/X	LED	FM/AM LED	
	D 647	LNJ308G81/1-3/X	LED	EXT/CD-CH LED	
	D 648	LNJ308G81/1-3/X	LED	1 LED	
	D 649	LNJ308G81/1-3/X	LED	2 LED	
	D 650	LNJ308G81/1-3/X	LED	3 LED	
	D 651	LNJ308G81/1-3/X	LED	4 LED	
	D 652	LNJ308G81/1-3/X	LED	5 LED	
	D 653	LNJ308G81/1-3/X	LED	6 LED	
	D 654	LNJ308G81/1-3/X	LED	SOUND	
	D 655	LNJ308G81/1-3/X	LED	DISPLAY	
	D 656	LNJ308G81/1-3/X	LED	SCAN	
	D 657	LNJ308G81/1-3/X	LED	BBE LED	
	D 659	NSPW310BS/BRS/	LED	LCD ILLUM.LED1	
	D 660	NSPW310BS/BRS/	LED	LCD ILLUM.LED2	
	D 670	MA3051/M/-X	ZENER DIODE		
	D 671	MA3056/M/-X	ZENER DIODE		
	D 691	MA3051/M/-X	ZENER DIODE		
	D 692	MA152WK-X	SI DIODE		
	IC680	RPM6938-SV4	IC		
	IC691	LC75823W	IC		
	JS690	QSW0863-001	JOG SHUTTLE SW		
	R 602	NRSA02J-821X	MG RESISTOR		
	R 603	NRSA02J-821X	MG RESISTOR		
	R 604	NRSA02J-122X	MG RESISTOR		
	R 605	NRSA02J-182X	MG RESISTOR		
	R 606	NRSA02J-272X	MG RESISTOR		
	R 608	NRSA02J-821X	MG RESISTOR		
	R 609	NRSA02J-821X	MG RESISTOR		
	R 610	NRSA02J-122X	MG RESISTOR		
	R 611	NRSA02J-182X	MG RESISTOR		
	R 612	NRSA02J-272X	MG RESISTOR		
	R 613	NRSA02J-392X	MG RESISTOR		
	R 614	NRSA02J-103X	MG RESISTOR		
	R 616	NRSA02J-821X	MG RESISTOR		
	R 617	NRSA02J-821X	MG RESISTOR		
	R 618	NRSA02J-122X	MG RESISTOR		
	R 619	NRSA02J-182X	MG RESISTOR		
	R 620	NRSA02J-272X	MG RESISTOR		
	R 631	NRSA02J-271X	MG RESISTOR		
	R 632	NRSA02J-271X	MG RESISTOR		
	R 633	NRSA02J-271X	MG RESISTOR		

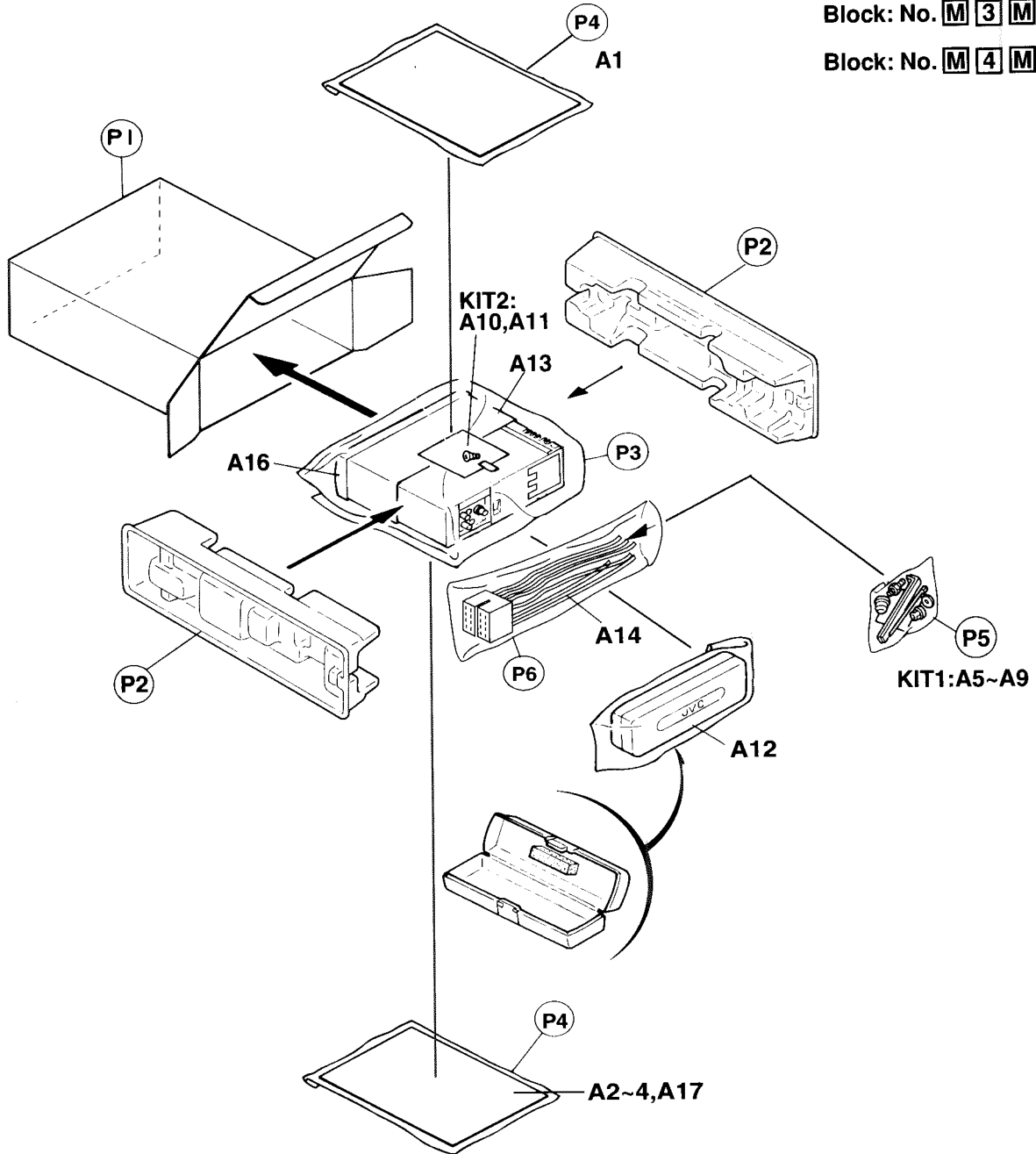
△	Item	Parts number	Parts name	Remarks	Area
	R 634	NRSA02J-271X	MG RESISTOR		
	R 635	NRSA02J-271X	MG RESISTOR		
	R 636	NRSA02J-271X	MG RESISTOR		
	R 637	NRSA02J-271X	MG RESISTOR		
	R 638	NRSA02J-271X	MG RESISTOR		
	R 639	NRSA02J-511X	MG RESISTOR		
	R 640	NRSA02J-511X	MG RESISTOR		
	R 641	NRSA02J-511X	MG RESISTOR		
	R 642	NRSA02J-511X	MG RESISTOR		
	R 643	NRSA02J-511X	MG RESISTOR		
	R 644	NRSA02J-511X	MG RESISTOR		
	R 645	NRSA02J-681X	MG RESISTOR		
	R 646	NRSA02J-681X	MG RESISTOR		
	R 647	NRSA02J-681X	MG RESISTOR		
	R 648	NRSA02J-681X	MG RESISTOR		
	R 649	NRSA02J-681X	MG RESISTOR		
	R 650	NRSA02J-681X	MG RESISTOR		
	R 651	NRSA02J-561X	MG RESISTOR		
	R 652	NRSA02J-152X	MG RESISTOR		
	R 671	NRSA02J-103X	MG RESISTOR		
	R 672	NRSA02J-471X	MG RESISTOR		
	R 681	NRSA02J-101X	MG RESISTOR		
	R 690	NRSA02J-221X	MG RESISTOR		
	R 691	NRSA02J-222X	MG RESISTOR		
	R 692	NRSA02J-222X	MG RESISTOR		
	R 693	NRSA02J-103X	MG RESISTOR		
	R 694	NRSA02J-103X	MG RESISTOR		
	R 695	NRSA02J-103X	MG RESISTOR		
	R 696	NRSA02J-103X	MG RESISTOR		
	R 697	NRSA02J-684X	MG RESISTOR		
	R 698	NRSA02J-154X	MG RESISTOR		
	S 601	NSW0124-001X	TACT SWITCH	POWER	
	S 602	NSW0124-001X	TACT SWITCH	SOUND	
	S 603	NSW0124-001X	TACT SWITCH	DISPLAY	
	S 604	NSW0124-001X	TACT SWITCH	SCAN	
	S 605	NSW0124-001X	TACT SWITCH	BBE	
	S 606	NSW0124-001X	TACT SWITCH	1 /VCR FUNC.	
	S 607	NSW0124-001X	TACT SWITCH	SELECT	
	S 608	NSW0124-001X	TACT SWITCH	2	
	S 609	NSW0124-001X	TACT SWITCH	3 /VCR PLAY	
	S 610	NSW0124-001X	TACT SWITCH	4 /VCR STOP	
	S 611	NSW0124-001X	TACT SWITCH	5 /VCR REW	
	S 612	NSW0124-001X	TACT SWITCH	6 /VCR FWD	
	S 613	NSW0124-001X	TACT SWITCH	F.SKIP/UP	
	S 614	NSW0124-001X	TACT SWITCH	EJECT	
	S 615	NSW0124-001X	TACT SWITCH	EXT./CD-CH	
	S 616	NSW0124-001X	TACT SWITCH	FM/AM	
	S 617	NSW0124-001X	TACT SWITCH	CD	
	S 618	NSW0124-001X	TACT SWITCH	RPT	
	S 619	NSW0124-001X	TACT SWITCH	MO/RND	
	S 620	NSW0124-001X	TACT SWITCH	B.SKIP/DOWN	






KD-SX878R
 KD-S777R

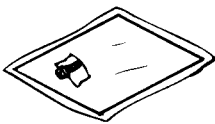
Packing materials and accessories parts list

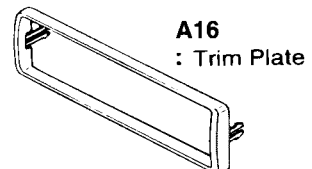
Block: No. **M 3 M M**

Block: No. **M 4 M M**



SCREW KIT 1	
	A9 Hook
	A6 Mount Bolt
	A7 Lock Nut
	A5 Plug Nut
	A8 Washer

SCREW KIT 2	
	A10 Screw
	A11 Sheet



■ Packing parts list

Block No. M3MM

△	Item	Parts number	Parts name	Q'ty	Description	Area
	P 1	FSPE3001-169	CARTON	1	KD-SX878R	
		FSPE3001-168	CARTON	1	KD-S777R	
	P 2	FSPH1018-002	CARTON	2		
	P 3	VPE3005-064	POLY BAG	1	SET 260X440X0.0	
	P 4	QPA01703505P	POLY BAG	2	INST.BOOK	
	P 5	QPA00801205	POLY BAG	1		
	P 6	QPA01003003	POLY BAG	1	FOR ISO CORD	

■ Accessories parts list

Block No. M4MM

△	Item	Parts number	Parts name	Q'ty	Description	Area
	A 1	FSUN3117-311	INSTRUCTIONS	1	ENG.GER.FRE.DUT	
	A 2	FSUN3117-321	INSTRUCTIONS	1	SPA.ITA.SWE.FIN	
	A 3	FSUN3117-T481	INSTALL MANUAL	1	SWE.FIN	
		FSUN3117-T211	INSTALL MANUAL	1	ENG.GER.FRE	
		FSUN3117-T451	INSTALL MANUAL	1	DUT.SPA.ITA	
	A 4	VND3050-002	IDENTITY CARD	1		
	A 5	VKZ4027-202	PLUG NUT	1		
	A 6	VKH4871-001SS	MOUNT BOLT	1		
	A 7	VKZ4328-001	LOCK NUT	1	FOR M5	
	A 8	WNS5000Z	WASHER	1		
	A 9	FSKL4010-002	HOOK	2		
	A 10	VKZ4777-001	MINI SCREW	1		
	A 11	FSYA4001-001	SHEET	1		
	A 12	FSJB3001-00A	HARD CASE	1		
	A 13	FSKM2004-002SSF	MOUNTING SLEEVE	1		
	A 14	QAM0158-001	16P CORD ASSY	1	WITH TEL MUTE	
	A 16	FSJD2034-001	TRIM PLATE	1		
	A 17	BT-54013-1	WARRANTY CARD	1		
	KIT 1	KDGS717K-SCREW1	SCREW PARTS KIT	1	A5-A9	
	KIT 2	KDGS727J-SCREW2	SCREW PARTS KIT	1	A10-A11	

KD-SX878R
KD-S777R

JVC

VICTOR COMPANY OF JAPAN, LIMITED

MOBILE ELECTRONICS DIVISION, 10-1, 1chome, Ohwatari-machi, Maebashi-city 371-8543, Japan

(No.49542)

 Printed in Japan
200002(M)